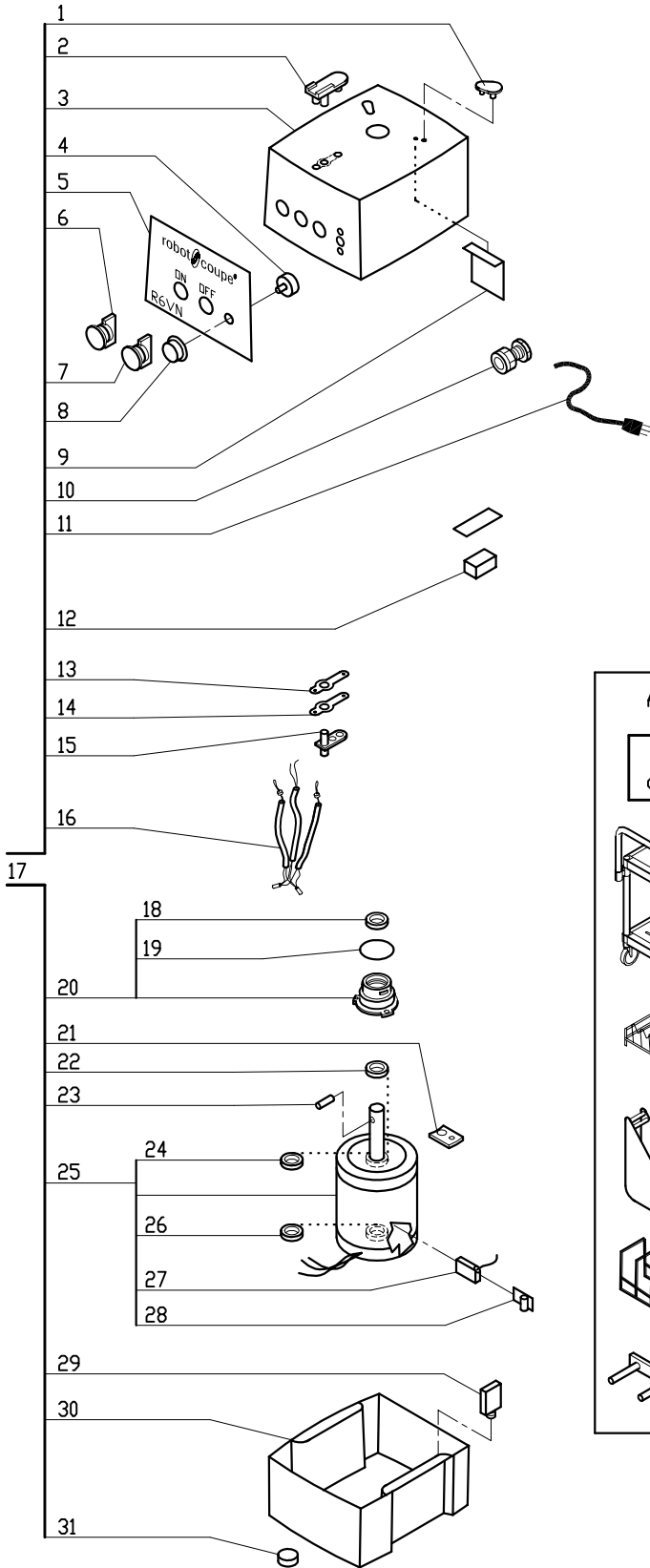
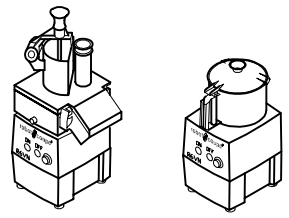
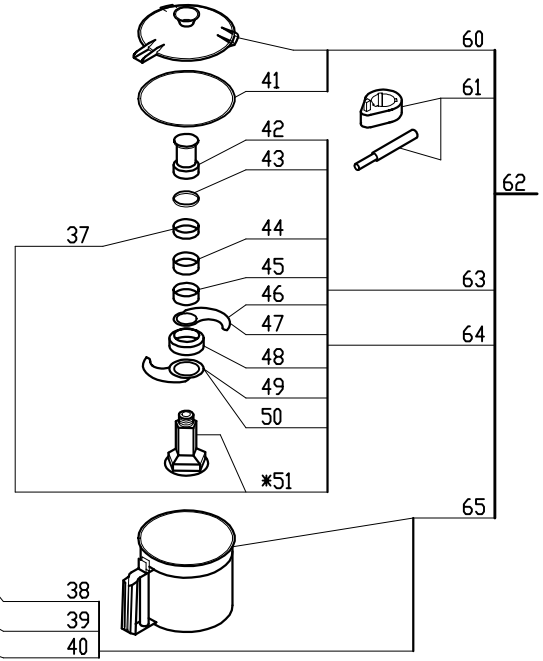


R6VN Series A

Series A, Serial Numbers R6VNxxxxxxA
 Variable- Speed, 120 Volt, 1 Phase, 60Hz., 1 HP.
 370-3450 RPM, 12 Amps
 Use C Designated Plates.



*102071 includes 103903 which is used if replacing the older versions of the blade support.

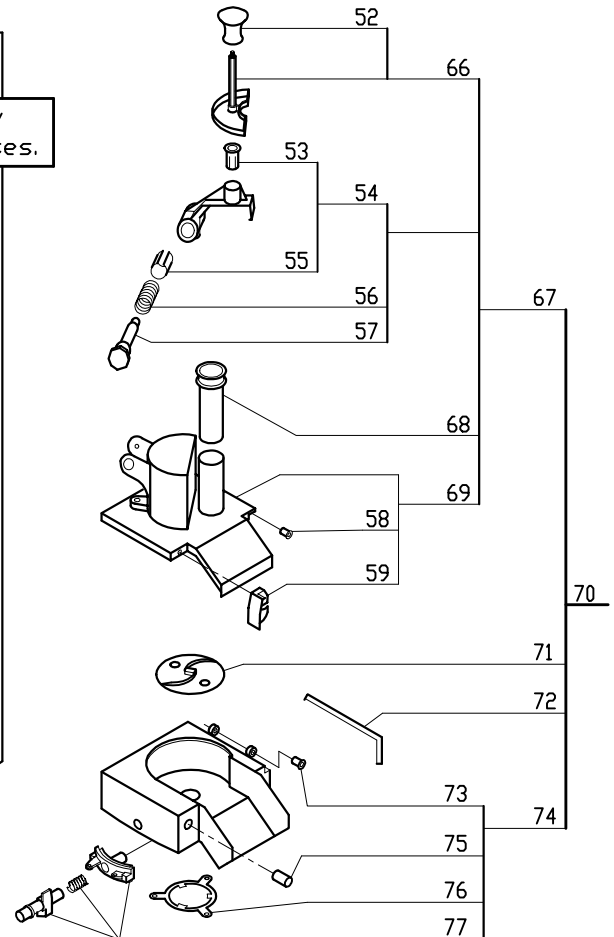


ACCESSORIES

NOTE: Use "C" designated plates.

32
33
34
35
36

* No longer available



INDEX	REF.	DESIGNATION	Pricelist in : USD
1	RA443	Pad,Rear	
2	RA441	Support/Pad,Front	
3	RA406	Motor Support	
4	RV6043	Speed Control Pot.	
5	RVA612	Front Data Plate (R6VN)	
6	RA418	Green "On" Switch Assy	
7	RA419	Red "Stop" Switch Assy	
8	RV614	Switch Knob	
9	RV6041	PC Board W/Switch	
10	RA490	Strain Relief	
11	R496	Cord W/Plug (R4X,S,P,Y)	
12	R664S	Relay DPST	
13	RA441.1	Gasket	
14	RA441.2	Metal Plate	
15	RA442	Support,Magnetic Switch	
16	C420P	Mag Swtch w/Hse (2 prl)	
17	RVA699	R6VN Motor Base Assy	
18	R611	Motor Support Seal	
19	RA489	O Ring, Seal Support	
20	RA467	Seal Assembly (Seal Support)	
21	RA455	Plate, Motor Mounting	
22	R604S	Seal, Motor	
23	R492A	Shaft Pin (new style)	
24	R662	Bearing, Motor Top	
25	RVA604	Motor Only (New Style R6VN)	
26	R1540	Bearing (6206)	
27	RVA604.2	Brush	
28	RVA604.3	Spring, Brush	
29	RB497	15amp Breaker (CSA)	
30	RA493	Base	
31	RA402	Foot	
32	R199	* Robo-Cart	
33	R255	* Plate Rack	
34	R475	* Plate Rack (Individual)	
35	R476	No Longer Available	
36	CL575	* Plate Rack (wall mount)	
37	103903	(D) 10mm S.S. Spacer (R6N)	
38	RA645.2	Pin, Bowl	
39	RA424.3	Spring, Bowl Pin	
40	RA424.4	Nut For Bowl Pin	
41	RA451	Seal,Lid	
42	RA653	Blade Locking Nut	
43	RA657	Plastic Spacer(5mm)	
44	RA654	SS Spacer(15mm)	
45	RA654	SS Spacer(15mm)	
46	RA655	Top Blade (Straight)	
47	RA656	Top Blade(Serrated)	
48	RA617	Spacer,Blade	
49	RA658	Bottom Blade (Straight)	
50	RA659	Bottom Blade(Serrated)	
51	102071	(D) Blade Support	
52	CL569	Pusher Knob	
53	CL588	Insert, Plastic	
54	R639M	Hinged Bracket Assy, 2 Mag	
55	CL594	Sleeve, Plastic	
56	CL581	Spring	
57	CL580	Pusher Hinge Pin	
58	CL523	Hinge Pin Bushing	
59	CL586A	Latch, upper & lower	
60	RA420	Lid	
61	RA616	Blade Tool Assy.	
62	RA644	* Bowl Kit	
63	RA651	*Smooth Blade Assembly	



R6VN #2

INDEX	REF.	DESIGNATION	Pricelist in : USD
64	RA651A	*Serrated Blade Assy	
65	RA645	Bowl	
66	CL576	Large Pusher Assembly	
67	R696	Cont. Feed Lead Assy.	
68	CL585	Small Pusher (167MM)	
69	R636	Cont Feed Lead	
70	RA697	* Cont Feed Kit	
71	CL572	Discharge Plate	
72	CL520	Hinge Pin	
73	CL523	Hinge Pin Bushing	
74	RA623	Continuous Feed Attachment	
75	CL573	Stud Bolt, Latch	
76	RA414	Locking Collar	
77	RA4901	Locking Pin Assy	