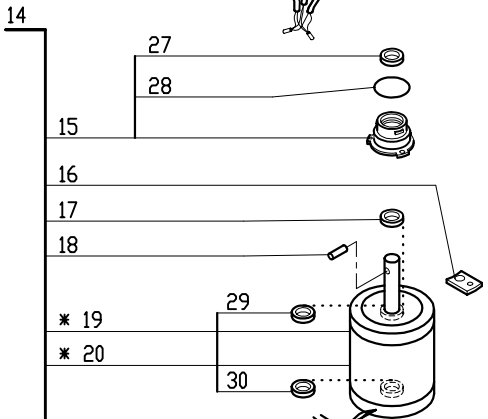
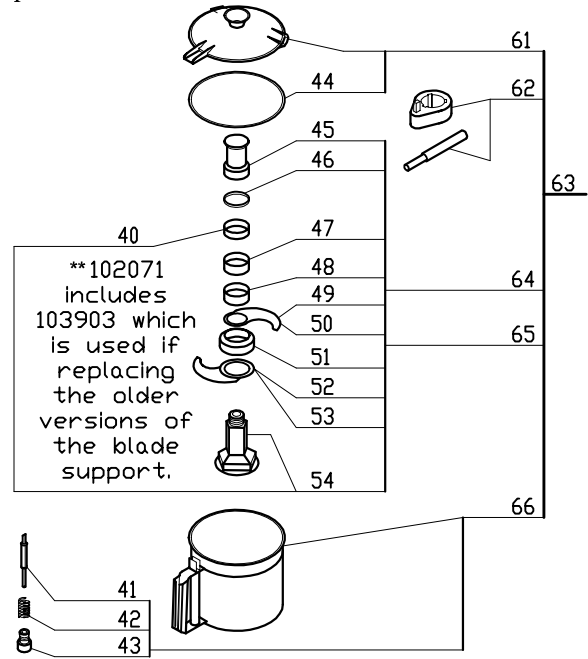
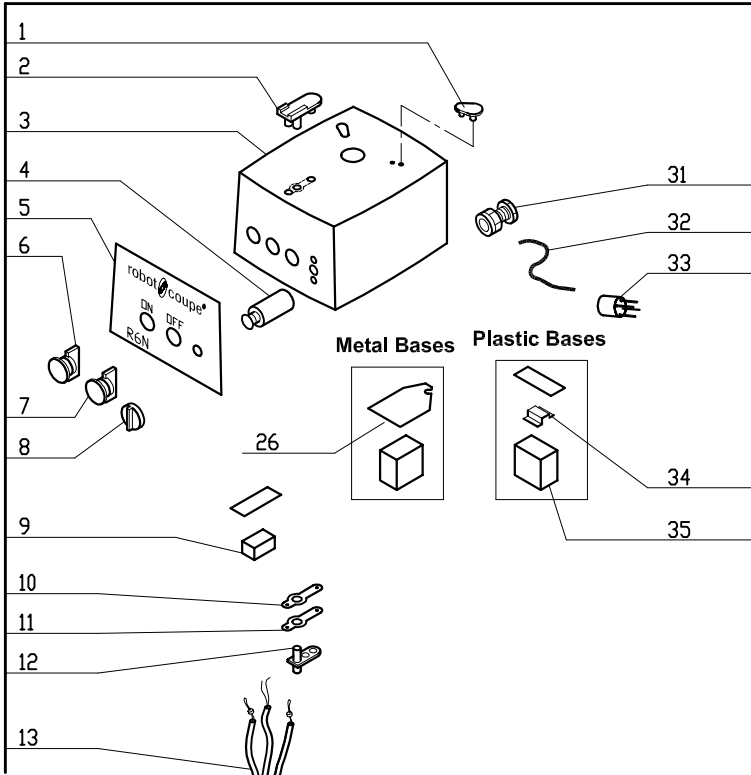
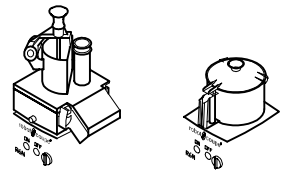


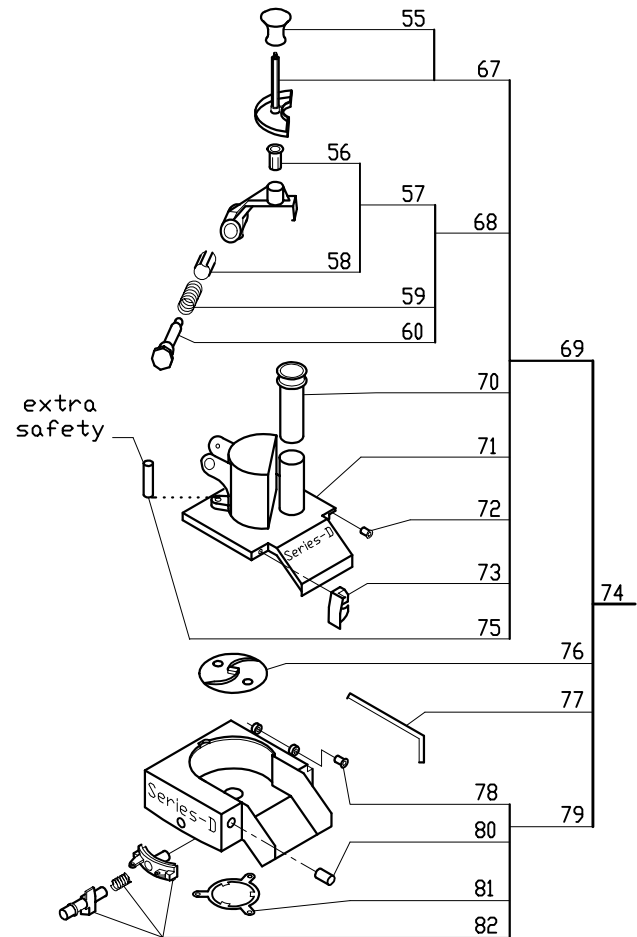
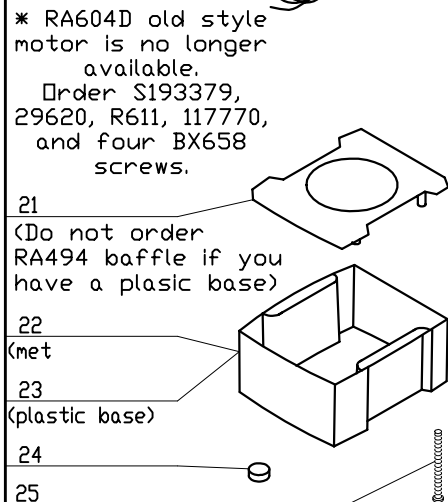
R6N Series D

Series D, Serial Numbers 235xxxxx13
 2- Speed, 208-240 Volt, 3 Phase, 60Hz., 1 HP.
 Low Speed-850 RPM, 2.6 Amps
 High Speed-1725 RPM, 2.8 Amps
 Use Series-D Plates.



ACCESSORIES

Use only cutting plates listed on the "Series D" Chart.



* RA604D old style motor is no longer available.
 Order S193379, 29620, R611, 117770, and four BX658 screws.

(Do not order RA494 baffle if you have a plastic base)



R6N #3

INDEX	REF.	DESIGNATION	Pricelist in : USD
1	RA443	Pad,Rear	
2	RA441	Support/Pad,Front	
3	RA406	Motor Support	
4	RA415	Drum Switch	
5	407234	(D) Front Data Plate, R6N	
6	RA418	Green "On" Switch Assy	
7	RA419	Red "Stop" Switch Assy	
8	RA416	Switch Knob	
9	R1090	Control Relay, Run(DPST)	
10	RA441.1	Gasket	
11	RA441.2	Metal Plate	
12	RA442	Support,Magnetic Switch	
13	C420P	Mag Swtch w/Hse (2 prl)	
14	RA699	Motor Base Assy(R6N)	
15	RA467	Seal Assembly (Seal Support)	
16	RA455	Plate, Motor Mounting	
17	R604S	Seal, Motor	
18	R492A	Shaft Pin (new style)	
19	RA604D	No longer available	
20	S193379	(D) Motor R4N/R6N Low-Profile	
21	RA494	Baffle	
22	RA493	Base	
23	29620	(E) Plastic Base, Low Profile	
24	RA402	Foot	
25	BX658	Base Bolt W/Washer	
26	RA401	Plate, Relay Mounting	
27	R611	Motor Support Seal	
28	RA489	O Ring, Seal Support	
29	R662	Bearing, Motor Top	
30	R237	6203 Bearing R2 Top/Btm	
31	RA490	Strain Relief	
32	R403	Cord without Plug	
33	R4904	Plug 3 Phase	
34	117770	(D) Din Rail 2"L, R4/R6 'D'	
35	R413	Voltage Relay	
36	R199	* Robo-Cart	
37	R255	* Plate Rack	
38	R475	* Plate Rack (Individual)	
39	CL575	* Plate Rack (wall mount)	
40	103903	(D) 10mm S.S. Spacer (R6N)	
41	RA645.2	Pin, Bowl	
42	RA424.3	Spring, Bowl Pin	
43	RA424.4	Nut For Bowl Pin	
44	RA451	Seal,Lid	
45	RA653	Blade Locking Nut	
46	RA657	Plastic Spacer(5mm)	
47	RA654	SS Spacer(15mm)	
48	RA654	SS Spacer(15mm)	
49	RA655	Top Blade (Straight)	
50	RA656	Top Blade(Serrated)	
51	RA617	Spacer,Blade	
52	RA658	Bottom Blade (Straight)	
53	RA659	Bottom Blade(Serrated)	
54	102071	(D) Blade Support	
55	CL569	Pusher Knob	
56	CL588	Insert, Plastic	
57	29738	(K)Bracket-Pusher Return	
58	100581	(K)Bushing for Spring	
59	100556	Description NA	
60	118374	(K)Pivot, Pusher Return Bracket	
61	RA420	Lid	
62	RA616	Blade Tool Assy.	
63	RA644	* Bowl Kit	



R6N #3

INDEX	REF.	DESIGNATION	Pricelist in : USD
64	RA651	*Smooth Blade Assembly	
65	RA651A	*Serrated Blade Assy	
66	RA645	Bowl	
67	CL576	Large Pusher Assembly	
68	29102	(D)Bracket-Pusher Return Assy	
69	29696	(D)Cont Feed Lead Assy W/Extra Safety	
70	118324	(L)Small Pusher	
71	118376	(D)Cont Feed Lead w/Extra Safety	
72	CL523	Hinge Pin Bushing	
73	29501	(K)Lock for Feed Cover	
74	27199	* (D) Cont Feed Kit W/Extra Safety/R6	
75	118377	(K)Extra Safety Rod	
76	102690	(K)Discharge Plate	
77	CL520	Hinge Pin	
78	CL523	Hinge Pin Bushing	
79	29697	(D)Cont Feed Bowl (R6 Series D)	
80	CL573	Stud Bolt, Latch	
81	118433	(D)Locking Collar	
82	28107	(D)Locking Pin Assy	