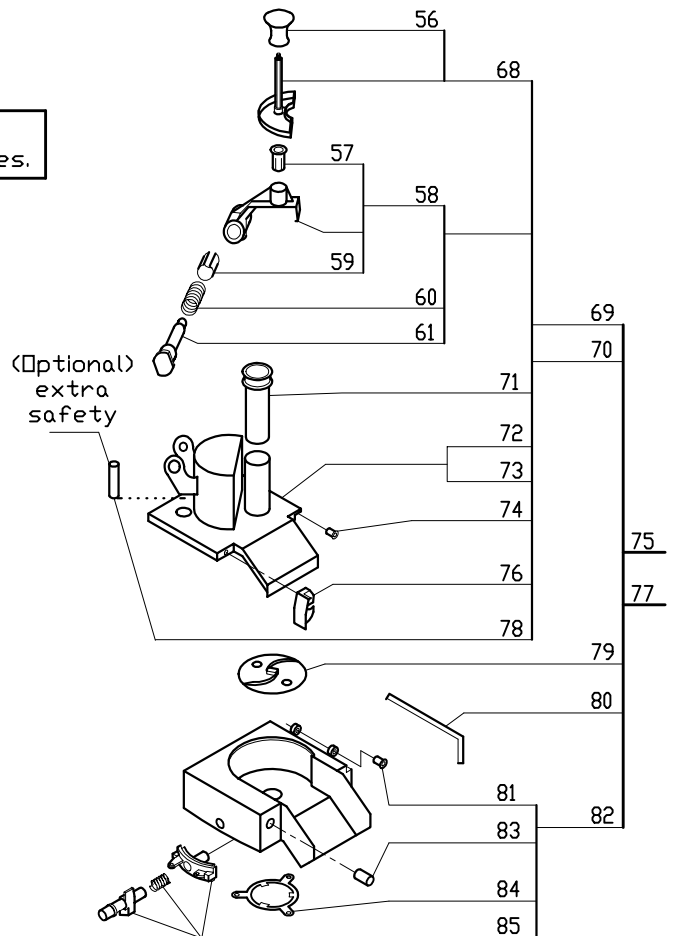
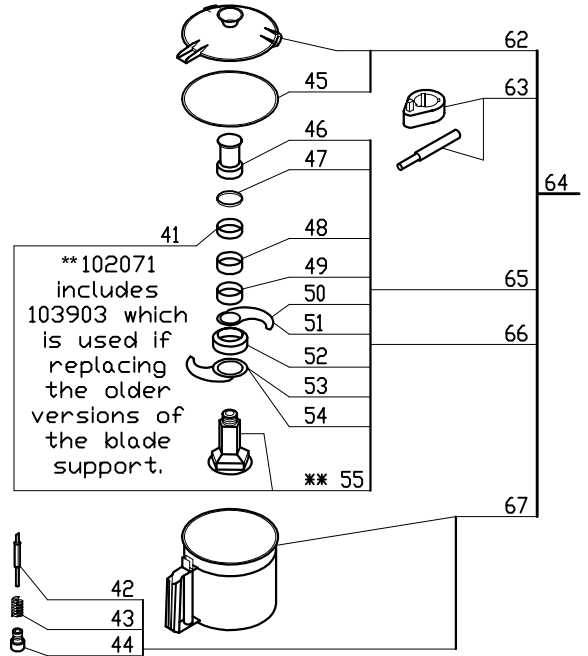
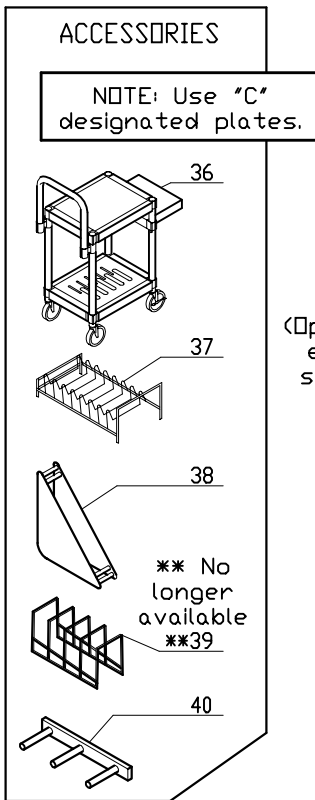
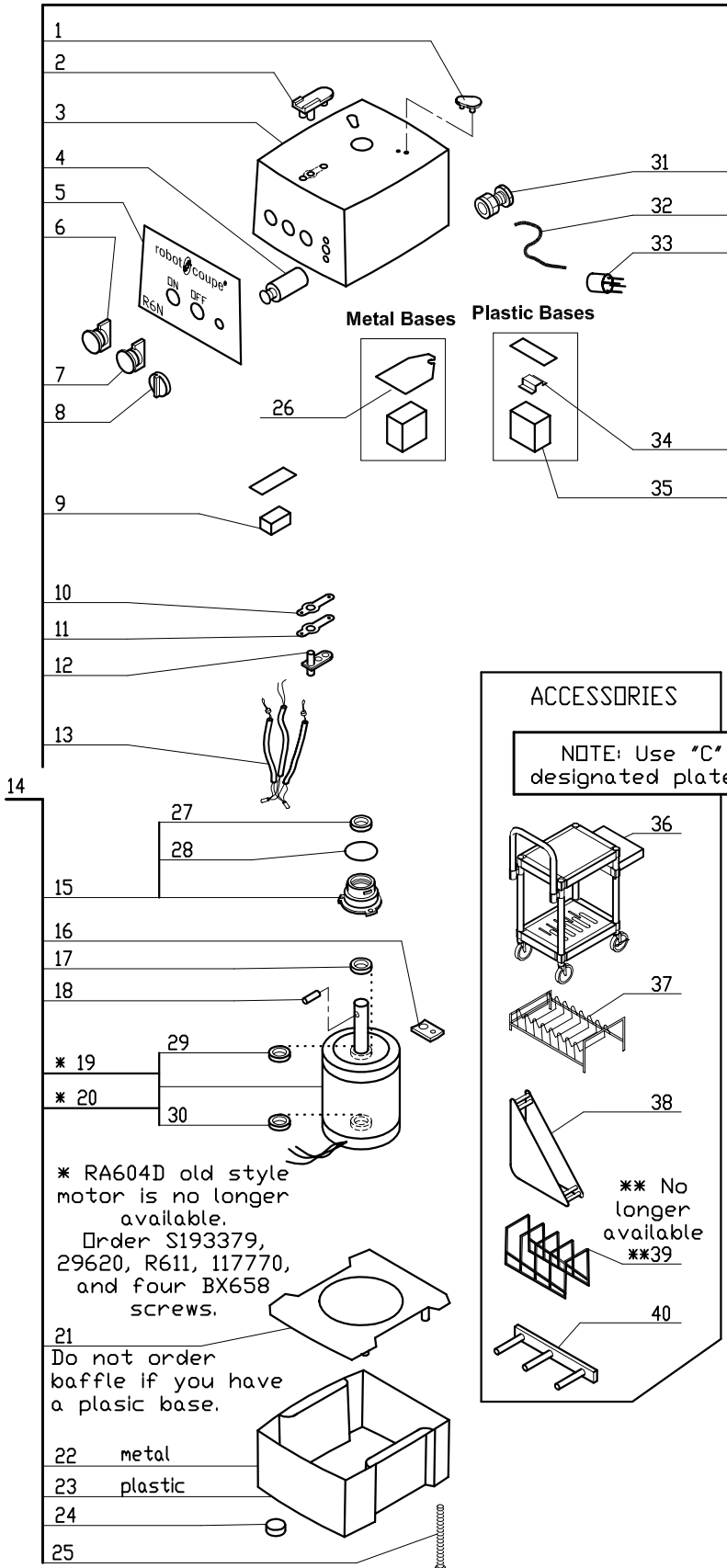
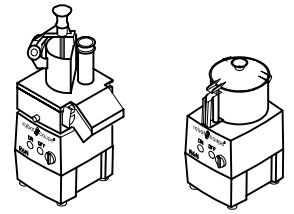


R6N Series A

Series A, Serial Numbers R6NxxxxxxA
 2-Speed, 208-240 Volt, 3 Phase, 60Hz., 1 HP.
 Low Speed-850 RPM, 7.6 Amps
 High Speed-1725 RPM, 2.8 Amps
 Use C Designated Plates.



INDEX	REF.	DESIGNATION	Pricelist in : USD
1	RA443	Pad,Rear	
2	RA441	Support/Pad,Front	
3	RA406	Motor Support	
4	RA415	Drum Switch	
5	RA612N	Front Data Plate (R6N)	
6	RA418	Green "On" Switch Assy	
7	RA419	Red "Stop" Switch Assy	
8	RA416	Switch Knob	
9	R1090	Control Relay, Run(DPST)	
10	RA441.1	Gasket	
11	RA441.2	Metal Plate	
12	RA442	Support,Magnetic Switch	
13	C420P	Mag Swtch w/Hse (2 prl)	
14	RA699	Motor Base Assy(R6N)	
15	RA467	Seal Assembly (Seal Support)	
16	RA455	Plate, Motor Mounting	
17	R604S	Seal, Motor	
18	R492A	Shaft Pin (new style)	
19	S193379	(D) Motor R4N/R6N Low-Profile	
20	RA604D	No longer available	
21	RA494	Baffle	
22	RA493	Base	
23	29620	(E) Plastic Base, Low Profile	
24	RA402	Foot	
25	BX658	Base Bolt W/Washer	
26	RA401	Plate, Relay Mounting	
27	R611	Motor Support Seal	
28	RA489	O Ring, Seal Support	
29	R662	Bearing, Motor Top	
30	R237	6203 Bearing R2 Top/Btm	
31	RA490	Strain Relief	
32	R403	Cord without Plug	
33	R4904	Plug 3 Phase	
34	117770	(D) Din Rail 2"L, R4/R6 'D'	
35	R413	Voltage Relay	
36	R199	* Robo-Cart	
37	R255	* Plate Rack	
38	R475	* Plate Rack (Individual)	
39	R476	No Longer Available	
40	CL575	* Plate Rack (wall mount)	
41	103903	(D) 10mm S.S. Spacer (R6N)	
42	RA645.2	Pin, Bowl	
43	RA424.3	Spring, Bowl Pin	
44	RA424.4	Nut For Bowl Pin	
45	RA451	Seal,Lid	
46	RA653	Blade Locking Nut	
47	RA657	Plastic Spacer(5mm)	
48	RA654	SS Spacer(15mm)	
49	RA654	SS Spacer(15mm)	
50	RA655	Top Blade (Straight)	
51	RA656	Top Blade(Serrated)	
52	RA617	Spacer,Blade	
53	RA658	Bottom Blade (Straight)	
54	RA659	Bottom Blade(Serrated)	
55	102071	(D) Blade Support	
56	CL569	Pusher Knob	
57	CL588	Insert, Plastic	
58	R639M	Hinged Bracket Assy, 2 Mag	
59	CL594	Sleeve, Plastic	
60	CL581	Spring	
61	CL580	Pusher Hinge Pin	
62	RA420	Lid	
63	RA616	Blade Tool Assy.	



R6N #2

INDEX	REF.	DESIGNATION	Pricelist in : USD
64	RA644	* Bowl Kit	
65	RA651	*Smooth Blade Assembly	
66	RA651A	*Serrated Blade Assy	
67	RA645	Bowl	
68	CL576	Large Pusher Assembly	
69	R696	Cont. Feed Lead Assy.	
70	R696M	Cont Feed Lead Assy(Mag)	
71	CL585	Small Pusher (167MM)	
72	R636	Cont Feed Lead	
73	R636M	Cont Feed Lead w/Magnet	
74	CL523	Hinge Pin Bushing	
75	RA697	* Cont Feed Kit	
76	CL586A	Latch, upper & lower	
77	RA697M	*Cont Feed Kit W/Extra Safety	
78	CL593	Rod, Mag Flux CF Lead	
79	CL572	Discharge Plate	
80	CL520	Hinge Pin	
81	CL523	Hinge Pin Bushing	
82	RA623	Continuous Feed Attachment	
83	CL573	Stud Bolt, Latch	
84	RA414	Locking Collar	
85	RA4901	Locking Pin Assy	