

R6 Series

R6N, R6B, R6C

Machines Manufactured before March of 1996

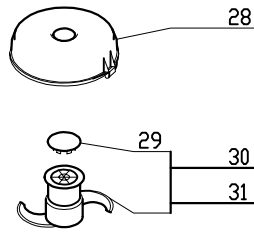
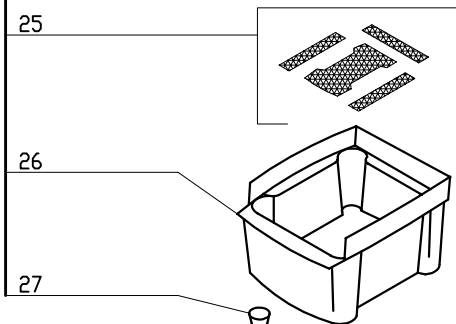
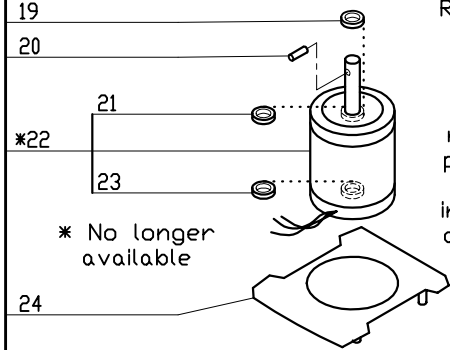
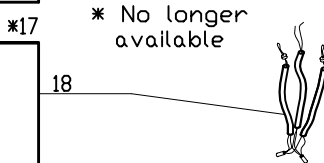
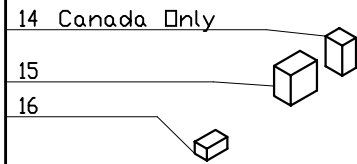
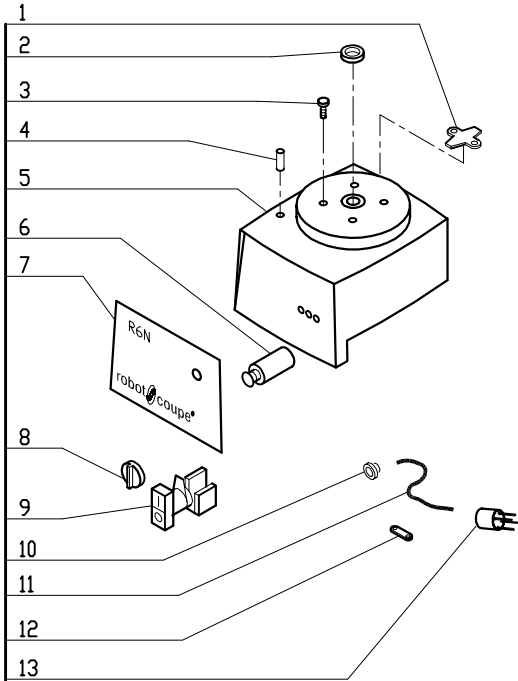
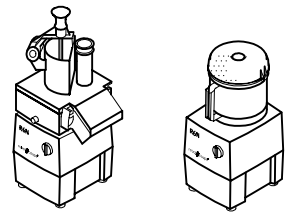
Serial Numbers up to R6N002727N also R6N002767N to R6N002768N

2-Speed, 208-240 Volt, 3 Phase, 60Hz., 1 HP.

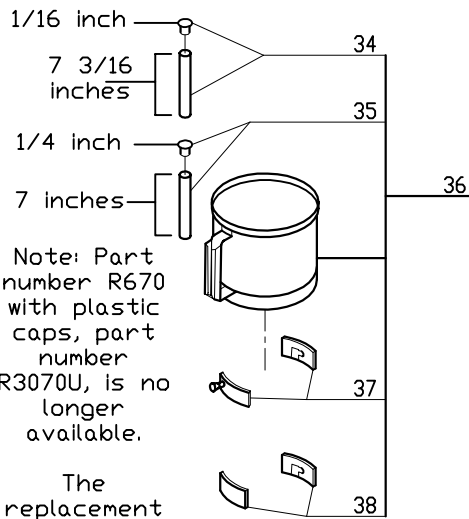
Low Speed-850 RPM, 2.6 Amps

High Speed-1725 RPM, 2.8 Amps

Use C Designated Plates.

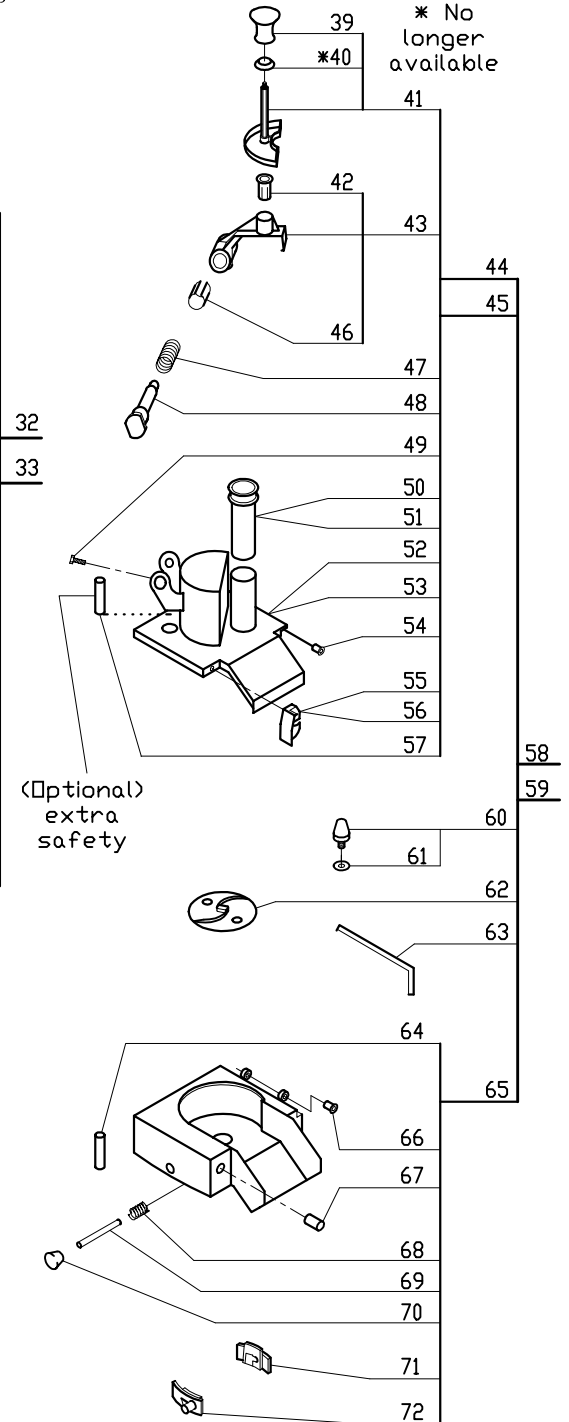


If you have a six-sided motor shaft, call the factory for blade parts.



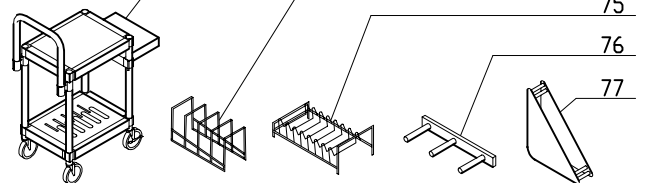
Note: Part number R670 with plastic caps, part number R3070U, is no longer available.

The replacement part number R670, incorporates a metal plug cap.



ACCESSORIES

NOTE: Use "C" designated plates.



* No longer available #74

73

75

76

77

* No longer available

#40

41

42

43

44

45

46

47

48

49

50

51

52

53

54

55

56

57

58

59

(Optional) extra safety

60

61

62

63

64

65

66

67

68

69

70

71

72

INDEX	REF.	DESIGNATION	Pricelist in : USD
1	R484	Stop Pad	
2	R611	Motor Support Seal	
3	R232	Motor Support Screw	
4	R619A	Switch Support, Mag Sw	
5	R610	Motor Support	
6	R415	Two (2) Speed Switch	
7	R612N	Front Data Plate (R6N)	
8	R416F	Switch Knob	
9	R3018	On/Off Switch	
10	R496G	Gromet (Elect Cord)	
11	R403	Cord without Plug	
12	R233	Strain Relief	
13	R4904	Plug 3 Phase	
14	R413TR	CSA Thermal Relay/R4N	
15	R413	Voltage Relay	
16	R1090	Control Relay, Run(DPST)	
17	R699	No longer available	
18	C420P	Mag Swtch w/Hse (2 prl)	
19	R604S	Seal, Motor	
20	R492A	Shaft Pin (new style)	
21	R662	Bearing, Motor Top	
22	R604N	No longer available	
23	R237	6203 Bearing R2 Top/Btm	
24	R494	Baffle (R4N R4X R4Y R4S)	
25	R498	Screen Kit (R4N,X,S,Y)	
26	R493F	R4 Base (French)	
27	R402F	Foot (French)	
28	R546	Bowl Lid	
29	R661	Cap, S Blade	
30	R651A	* Smooth Blade Assy	
31	R652A	* Serrated Blade Assy	
32	R644	* R6N Bowl Kit	
33	R644A	* Bowl Kit	
34	R670	Rod, Bowl W/Drive-In Cap	
35	R670A	Bowl Rod w/Press Fit Cap	
36	R645	Bowl	
37	R646A	Bushing Set w Bwl Lock Pin	
38	R646	Lckg Bush Set w/Screws	
39	CL569	Pusher Knob	
40	CL579	No longer available	
41	CL576	Large Pusher Assembly	
42	CL588	Insert, Plastic	
43	R639M	Hinged Bracket Assy, 2 Mag	
44	R696	Cont. Feed Lead Assy.	
45	R696M	Cont Feed Lead Assy(Mag)	
46	CL594	Sleeve, Plastic	
47	CL581	Spring	
48	CL580	Pusher Hinge Pin	
49	CL571	Screw	
50	CL585	Small Pusher (167MM)	
51	CL585A	Small Pusher(145MM)	
52	CL574M	Cont Feed Lead w/Mgt Rod	
53	R636	Cont Feed Lead	
54	CL523	Hinge Pin Bushing	
55	CL586	Latch Assy U/L Plastic	
56	CL586A	Latch, upper & lower	
57	CL593	Rod, Mag Flux CF Lead	
58	R697	* Continuous Feed Kit	
59	R697M	* Cont Feed Kit w/Mag & Rod	
60	R609	Plate Locking Bolt	
61	R609A	Washer, Plastic	
62	CL572	Discharge Plate	
63	CL520	Hinge Pin	



R6N #1

INDEX	REF.	DESIGNATION	Pricelist in : USD
64	CL593	Rod, Mag Flux CF Lead	
65	R623	Cont Feed Attachment	
66	CL523	Hinge Pin Bushing	
67	CL573	Stud Bolt, Latch	
68	R257	Spring for Pin Assembly	
69	R632	Pin, Locking	
70	C4912	Locking Pin Knob	
71	C499	Feed Attachment Bushing	
72	C498	Feed Atchmnt Pin Bushing	
73	R199	* Robo-Cart	
74	R476	No Longer Available	
75	R255	* Plate Rack	
76	CL575	* Plate Rack (wall mount)	
77	R475	* Plate Rack (Individual)	