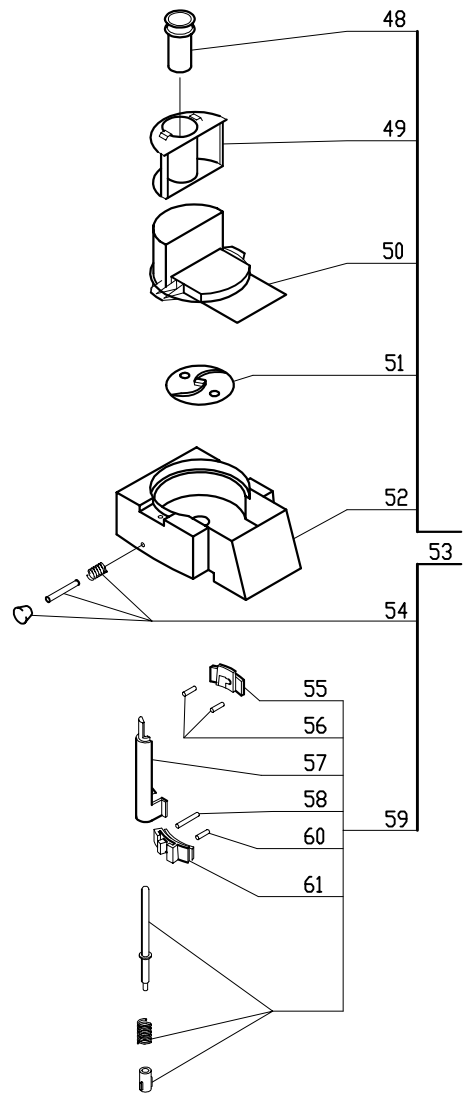
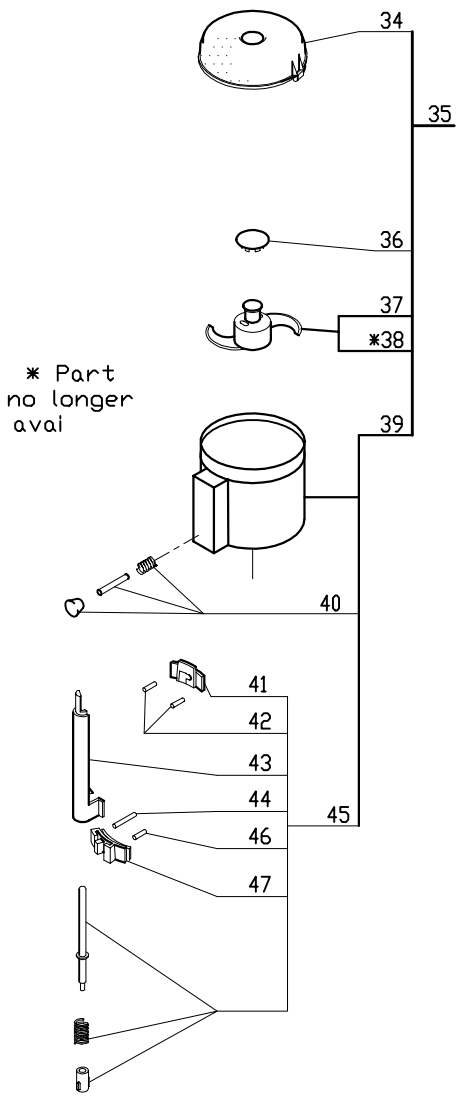
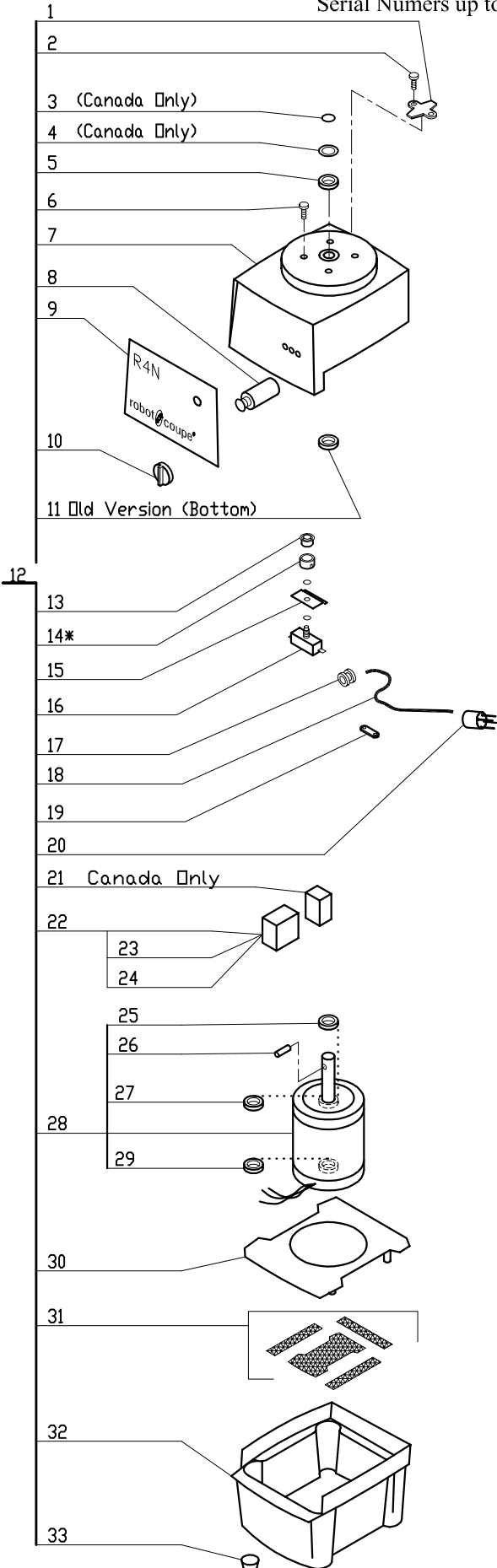
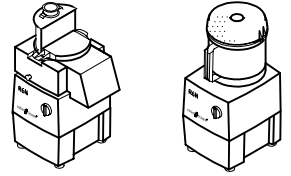


Machines manufactured before March of 1996

Serial Numbers up to JA007125N, numbers JA007214N to JA007232N

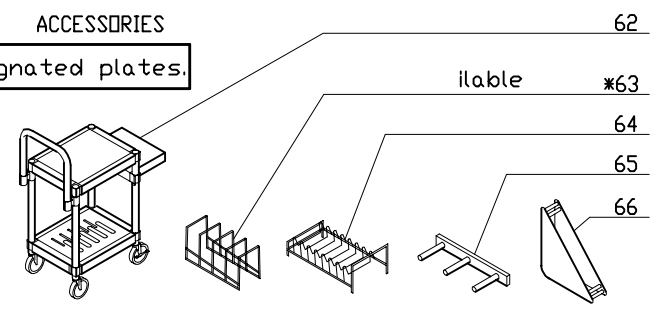
also, JA007233A and above.

Use **R** Designated Plates.



ACCESSORIES

NOTE: Use "R" designated plates.



INDEX	REF.	DESIGNATION	Pricelist in : USD
1	R484	Stop Pad	
2	R484S	Screw (Stop Pad)	
3	R4952	O Ring	
4	R4951	Teflon Seal, Motor Shaft	
5	R405A	Seal (MS-Top) (20-35-6)	
6	R232	Motor Support Screw	
7	R406	Motor Support	
8	R415	Two (2) Speed Switch	
9	R4902	Front Data Plate (R4N)	
10	R416F	Switch Knob	
11	R405	Motor Support Seal	
12	R470	No longer available	
13	R417	Rubber "O" Ring(Red)	
14	R254	***NLA****Plastic Sleeve	
15	R224	Switch Plate	
16	R223	Safety Switch	
17	R496G	Gromet (Elect Cord)	
18	R403	Cord without Plug	
19	R233	Strain Relief	
20	R4904	Plug 3 Phase	
21	R413TR	CSA Thermal Relay/R4N	
22	R413	Voltage Relay	
23	R413C	Coil Only (LX1 D09 White)	
24	R413D	Coil Only (LX1D2 Blue)	
25	R479	Motor Seal (Gould Motor)	
26	R492A	Shaft Pin (new style)	
27	R485	Top Bearing/Gould (R4X,S	
28	R404F	Motor F/C 1HP 220V/3Ph	
29	R237	6203 Bearing R2 Top/Btm	
30	R494	Baffle (R4N R4X R4Y R4S)	
31	R498	Screen Kit (R4N,X,S,Y)	
32	R493F	R4 Base (French)	
33	R402F	Foot (French)	
34	R420N	Cutter Bowl Lid	
35	R472	* Cutter Bowl Kit	
36	R421	S Blade Seal	
37	R422	* 25MM Blade (Std)	
38	R423	No longer available	
39	R424	Cutter Bowl	
40	R4901	Locking Pin Assembly	
41	R483	Locking Bushing	
42	R482R	Rivot (7MM)	
43	R481	Pin Asmbly Support/Bowl	
44	R482RL	Rivet (1CM)	
45	R473K	Pin Asmbly Kit/Cut Bowl	
46	R482R	Rivot (7MM)	
47	R482	Pin Locking Bushing	
48	R412N	Small Vegetable Pusher	
49	R411N	Large Vegetable Pusher	
50	R409N	Continuous Feed Lead	
51	R410	Discharge Plate	
52	R408	Cont. Feed Attachment	
53	R471N	* Continuous Feed Kit	
54	R4901	Locking Pin Assembly	
55	R483	Locking Bushing	
56	R482R	Rivot (7MM)	
57	R480	Pin Asmbly Sup/Cont Feed	
58	R482RL	Rivet (1CM)	
59	R474K	Pin Asmbly Kit/Cont Feed	
60	R482R	Rivot (7MM)	
61	R482	Pin Locking Bushing	
62	R199	* Robo-Cart	
63	R476	No Longer Available	



R4N #1



INDEX	REF.	DESIGNATION	Pricelist in : USD
64 65 66	R255 CL575 R475	* Plate Rack * Plate Rack (wall mount) * Plate Rack (Individual)	