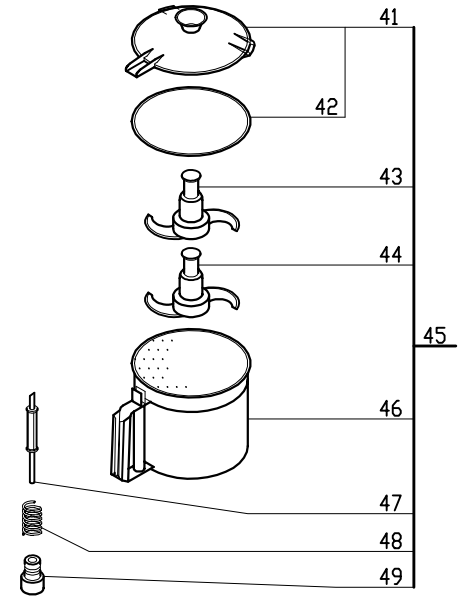
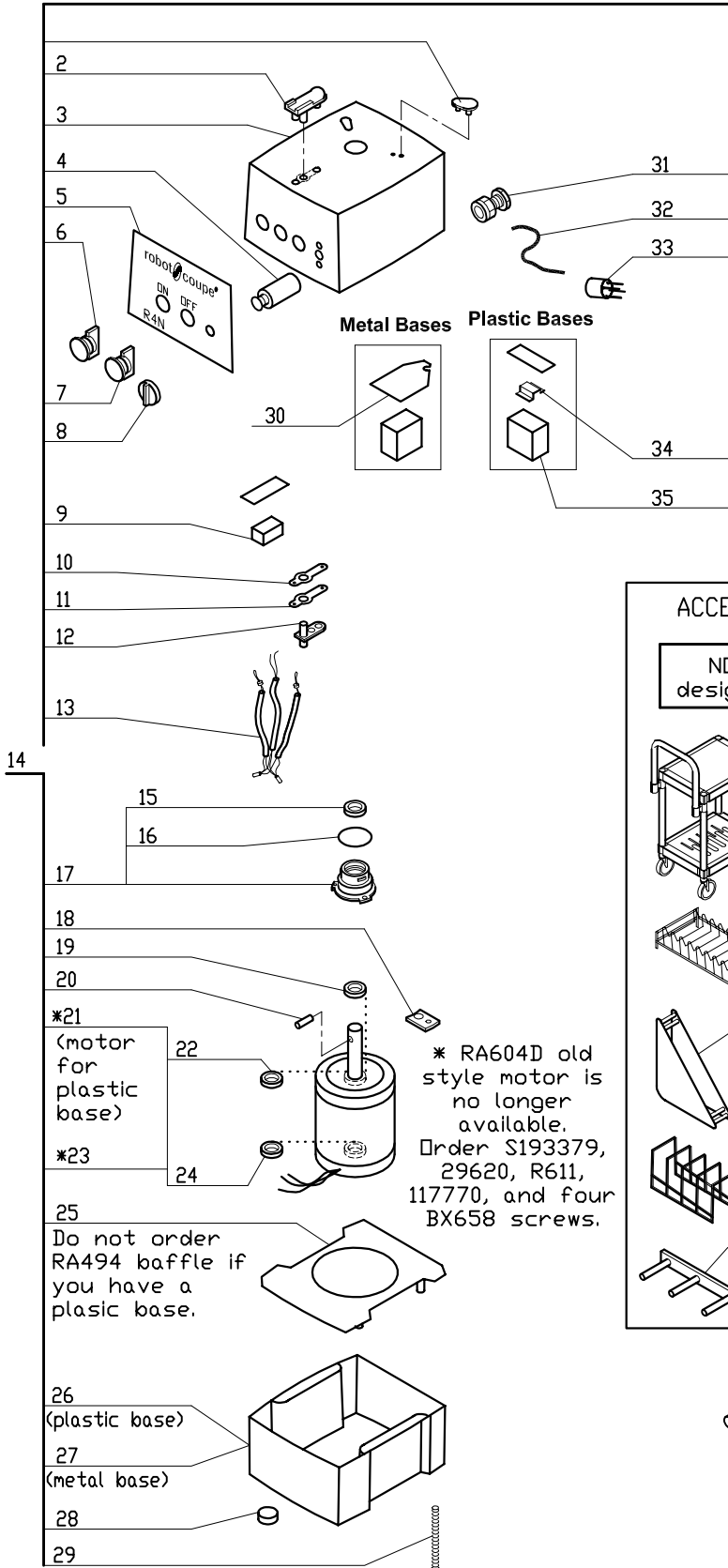
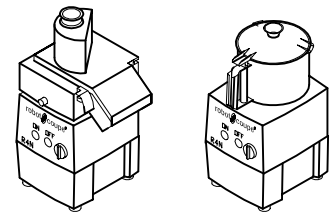


# R4N Series A

Series A, Serial Numbers JAXxxxxxA  
 2-Speed, 208-240 Volt, 3 Phase, 60Hz., 1 HP.  
 Low Speed-850 RPM, 2.6 Amps  
 High Speed- 1725 RPM, 2.8 Amps  
 Use C Designated Plates.



**ACCESSORIES**

NOTE: Use "C" designated plates.

36

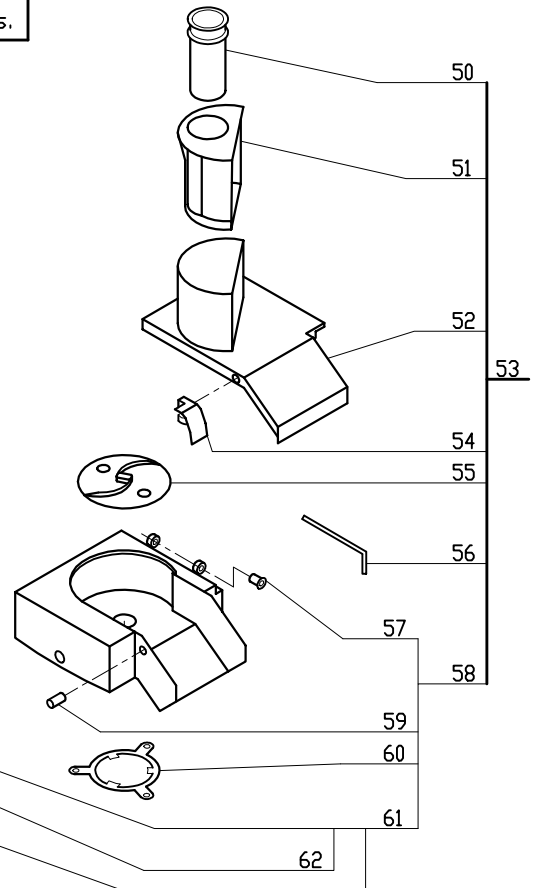
37

38

\*\* No longer available

\*\*\*39

40





## R4N #2

INDEX	REF.	DESIGNATION	Pricelist in : USD
1	RA443	Pad,Rear	
2	RA441	Support/Pad,Front	
3	RA406	Motor Support	
4	RA415	Drum Switch	
5	RA4902	Front Data Plate (R4N)	
6	RA418	Green "On" Switch Assy	
7	RA419	Red "Stop" Switch Assy	
8	RA416	Switch Knob	
9	R1090	Control Relay, Run(DPST)	
10	RA441.1	Gasket	
11	RA441.2	Metal Plate	
12	RA442	Support,Magnetic Switch	
13	C420P	Mag Swtch w/Hse (2 prl)	
14	RA470	R4N Motor Base Assy	
15	R611	Motor Support Seal	
16	RA489	O Ring, Seal Support	
17	RA467	Seal Assembly (Seal Support)	
18	RA455	Plate, Motor Mounting	
19	R604S	Seal, Motor	
20	R492A	Shaft Pin (new style)	
21	S193379	(D) Motor R4N/R6N Low-Profile	
22	R662	Bearing, Motor Top	
23	RA604D	No longer available	
24	R237	6203 Bearing R2 Top/Btm	
25	RA494	Baffle	
26	29620	(E) Plastic Base, Low Profile	
27	RA493	Base	
28	RA402	Foot	
29	BX658	Base Bolt W/Washer	
30	RA401	Plate, Relay Mounting	
31	RA490	Strain Relief	
32	R403	Cord without Plug	
33	R4904	Plug 3 Phase	
34	117770	(D) Din Rail 2"L, R4/R6 'D'	
35	R413	Voltage Relay	
36	R199	* Robo-Cart	
37	R255	* Plate Rack	
38	R475	* Plate Rack (Individual)	
39	R476	No Longer Available	
40	CL575	* Plate Rack (wall mount)	
41	RA420	Lid	
42	RA451	Seal,Lid	
43	RA422	* Blade Assy	
44	RA423	* Serrated Blade Assy	
45	RA472	* Bowl Assy (4 Qt)	
46	RA424	Bowl	
47	RA424.2	Pin, Bowl	
48	RA424.3	Spring, Bowl Pin	
49	RA424.4	Nut For Bowl Pin	
50	RA412	Small Pusher	
51	RA411	Large Pusher	
52	RA409	Continuous Feed Lead	
53	RA471	* Cont Feed Kit	
54	RA429	Latch	
55	CL572	Discharge Plate	
56	CL520	Hinge Pin	
57	CL523	Hinge Pin Bushing	
58	RA408	Continuous Feed Attachment	
59	RA477	Pin for Latch	
60	RA414	Locking Collar	
61	RA4901	Locking Pin Assy	
62	R1776	Spring	