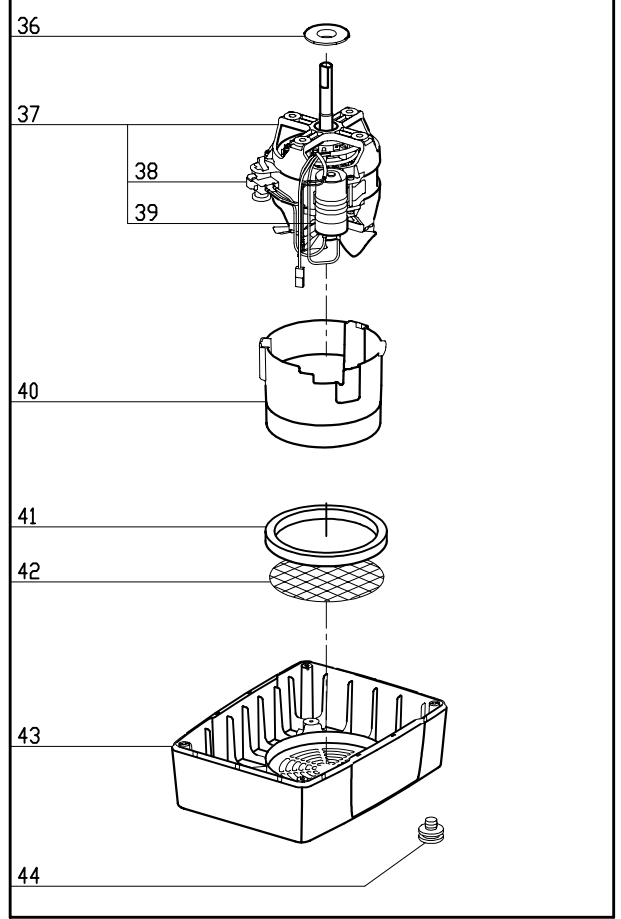
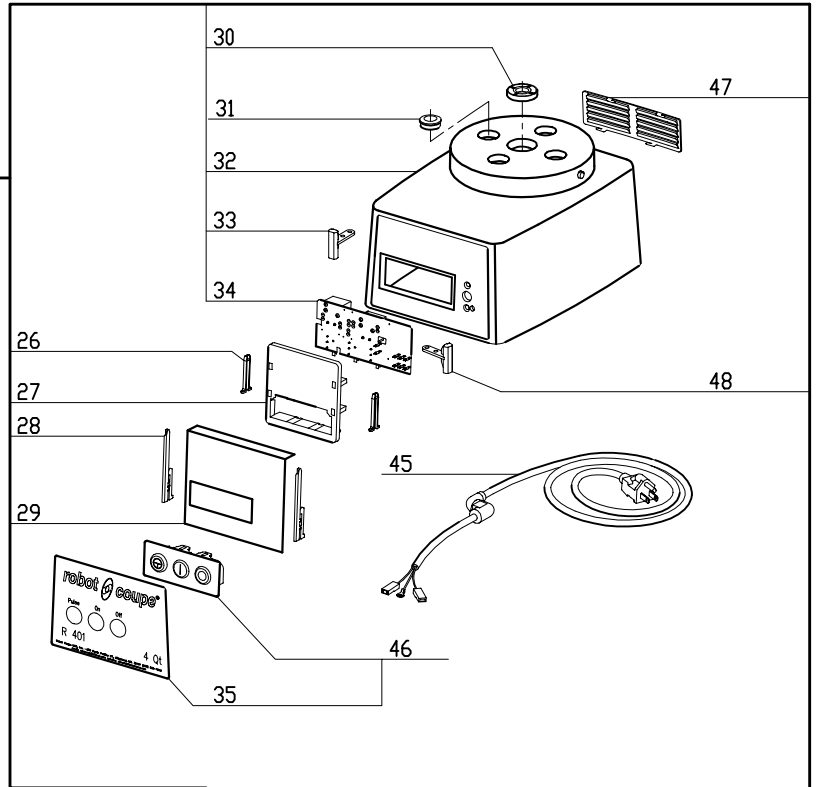
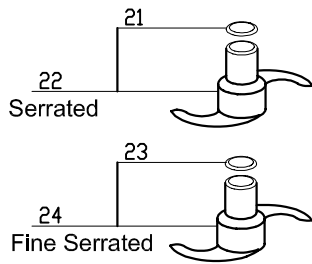
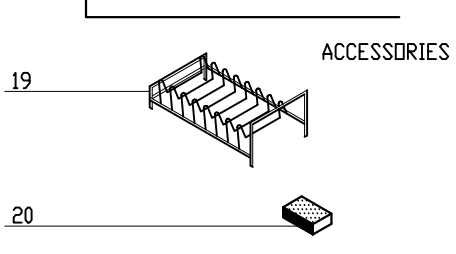
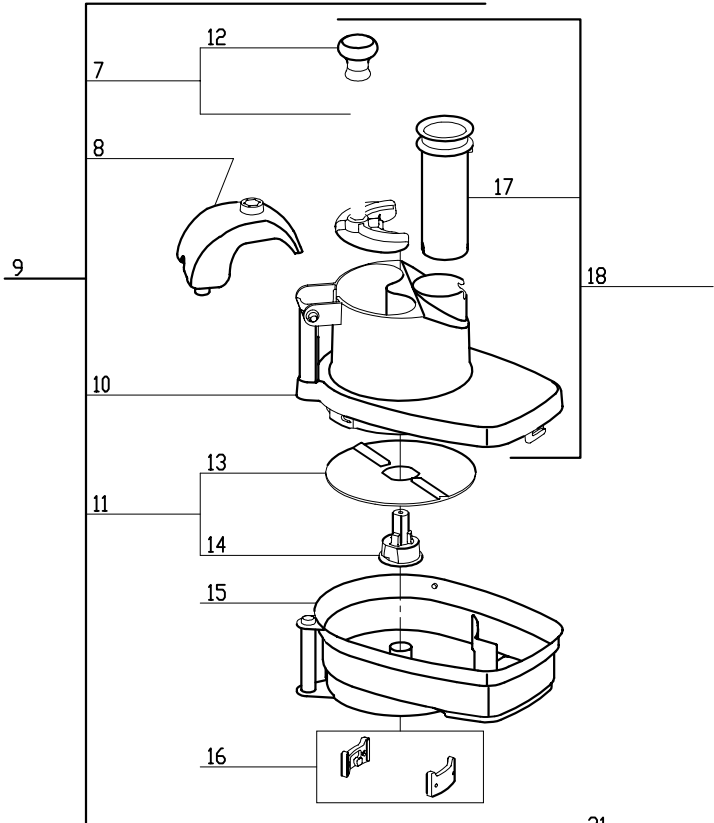
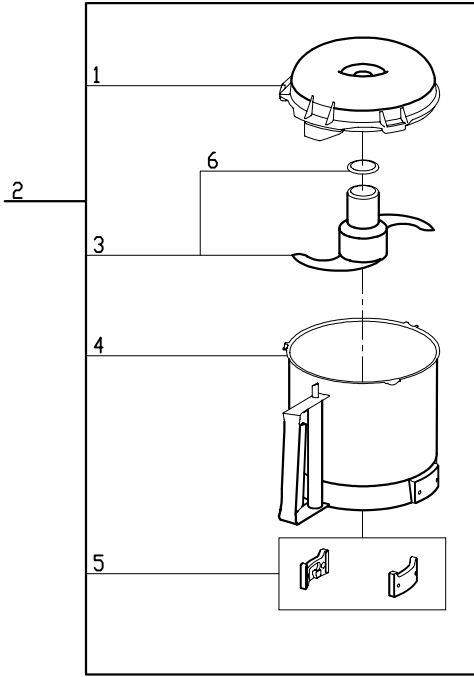
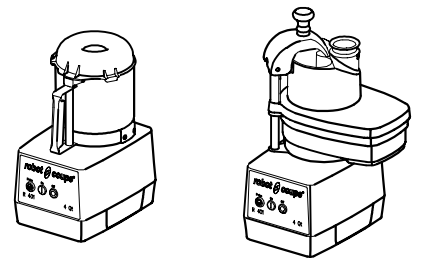


1-Speed, 120 Volt, 1 Phase, 60Hz., 1/2 HP.

1725 RPM, 7 Amps





R401 #1

INDEX	REF.	DESIGNATION	Pricelist in : USD
1	117395	Description Not Available	
2	27251	Description Not Available	
3	27255	Description Not Available	
4	104085	Description Not Available	
5	BX3069	(G) Blixer4 Bowl Only	
6	104147	Description Not Available	
7	CL323	Large Pusher Assy.	
8	102020	Description Not Available	
9	27257	Description Not Available	
10	102016	Description Not Available	
11	CL320	Discharge Plate Assy.	
12	CL569	Pusher Knob	
13	117092	Description Not Available	
14	117091	Description Not Available	
15	104454	Description Not Available	
16	BX3069	(G) Blixer4 Bowl Only	
17	CL324	Small Pusher	
18	117079	Description Not Available	
19	R255	* Plate Rack	
20	R248	Honing Stone	
21	104147	Description Not Available	
22	27253	Description Not Available	
23	104147	Description Not Available	
24	27254	Description Not Available	
25	NA	Description Not Available	
26	102913	(C) Button Block Retainer R300,R301U "C"	
27	102911	(C) PC Board Supp. R300,R301U Series "C"	
28	117703	(K)Control Board Retaining Pin	
29	104131	(G) PC Board Fuse/Protector (Blixer4)	
30	R118	Motor Support Seal	
31	104070	(G) Screw Cover (Blixer4)	
32	39111	Description Not Available	
33	29356	Description Not Available	
34	103692	Description Not Available	
35	407827	Description Not Available	
36	104078	(G) Motor Centering Ring (Blixer4)	
37	303133	Description Not Available	
38	503692	Description Not Available	
39	505362	Description Not Available	
40	104113	(G) Baffle (Blixer4)	
41	R106	Bottom Cushion Bushing	
42	103761	(C) Screen R300,R301U Series C	
43	39201	(G) Base (Blixer4)	
44	R3001	Foot, Black	
45	504277	(G) Power Cord (Blixer4)	
46	39110	Description Not Available	
47	104122	(G) Vent Cover (Blixer4)	
48	29441	(C) Reed Switch, R300,R301U Series "C"	