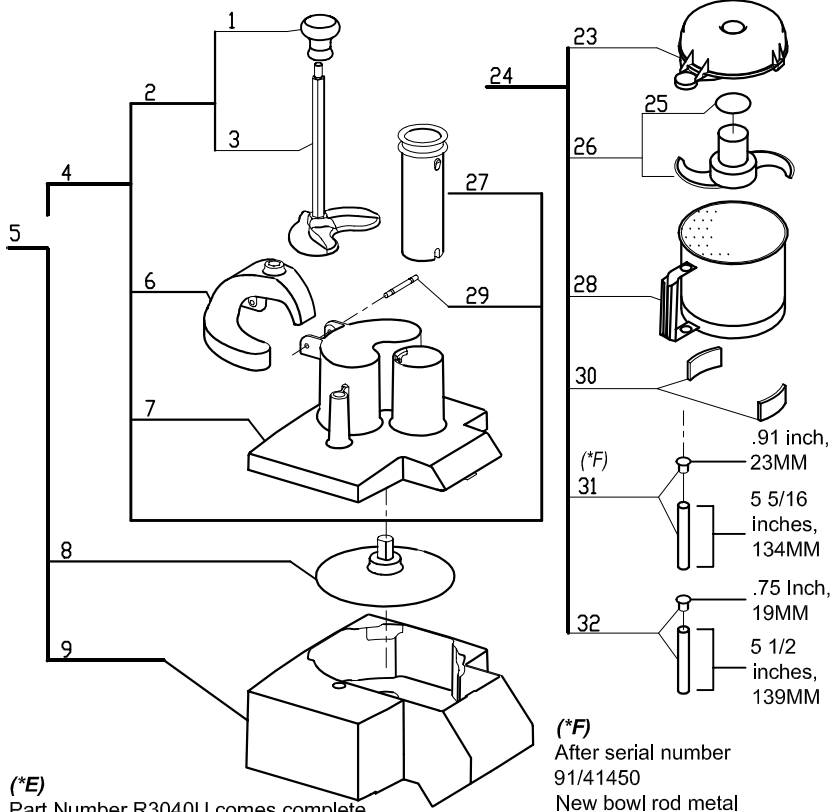
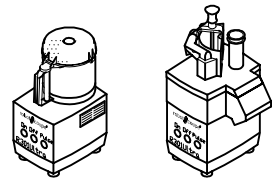


Phone: 1-800-824-1646
 Fax: 601-898-9134
 email: robocoup@misnet.com

R301 Ultra

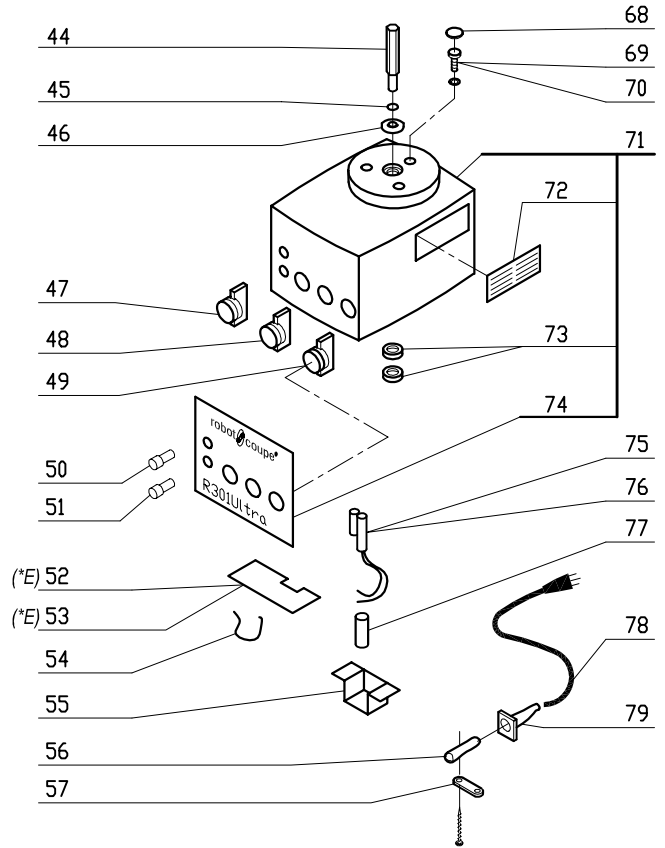
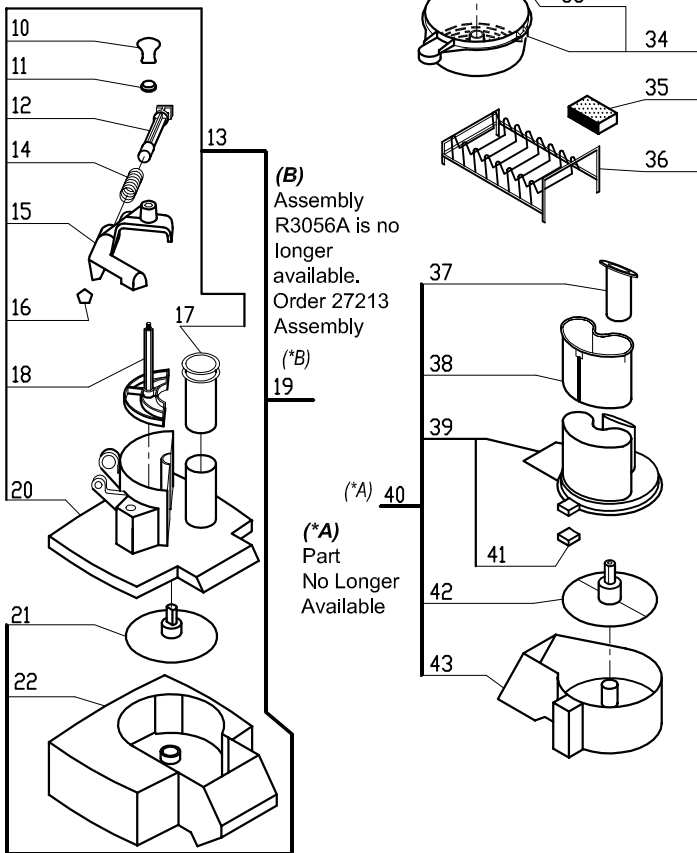
Serial Numbers 91/xxxx
 1- Speed, 120 Volt, 1 Phase, 60Hz., 1/2 HP.
 1725 RPM, 7.2 Amps



(*E) Part Number R3040U comes complete with magnetic switch. After serial number 91/30xxx use new PC board number R3040UA which includes magnetic switch number R3061A.

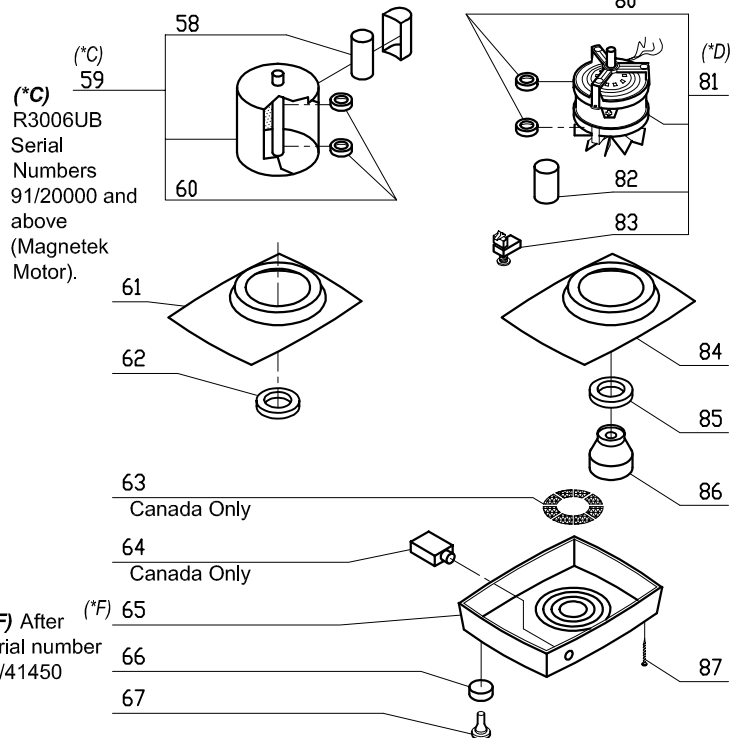
(*F) After serial number 91/41450 New bowl rod metal bushings R3071UA replaces rod with plastic caps.

ACCESSORIES



CONVERSION KIT: R3006K
 1-R3006UB-Magnetek Motor
 1-R3004B
 3-R3025A
 2-R1716
 1-R222

(*D) Use conversion kit R3006K to replace open frame motor of R301U. Serial Numbers 91/00001 to number 91/20000:





R301 Ultra #1

INDEX	REF.	DESIGNATION	Pricelist in : USD
1	CL569	Pusher Knob	
2	29880	(C) Large Pusher Assy R300,R301U Srs "C"	
3	103703	(C) Large Pusher Only R300,R301U Srs "C"	
4	29922	(C) Cont Feed Lead Assy R300,R301U Srs C	
5	27213	* (C) Cont. Feed Kit (Series "C")	
6	29921	(C) Pusher Guide R300,R301U Series "C"	
7	103534	(C) Cont Feed Lead Only R300,R301U "C"	
8	R3090	Discharge Plate	
9	103728	(C) Cont Feed Attach. R300,R301U Srs "C"	
10	CL569	Pusher Knob	
11	CL579	No longer available	
12	R3089	Pin, Pusher Return	
13	R3081	Cont Feed Lead w/Lg Pshr	
14	R3088	Spring, Pusher Return	
15	R3087	Hinged Bracket,Lg Pusher	
16	R3086	Retaining Clip for Pin	
17	R3082	Small Pusher	
18	R3085	Large Pusher with Rod	
19	NLA	No longer available	
20	R3058A	Cont. Feed Lead	
21	R3090	Discharge Plate	
22	R3080	Continuous Feed Attachmt	
23	R3031N	Bowl Lid (New Style)	
24	R3032S	* Bowl Kit (S. Steel)	
25	R3030	Cap Only, R301 S. Blade	
26	R3029	* S Blade (Straight)	
27	118324	(L)Small Pusher	
28	R3028SS	Bowl/Stainles Steel	
29	103540	(C) Pusher Pivot Pin R300,R301U Series C	
30	R3069U	Lckg Bush Set w/Screws	
31	R3071UA	Bowl Rod w/Press Fit Caps	
32	R3071U	Rod, Bowl Magnet	
33	R3091.1	Juicer Cone	
34	R3091	* Juicer Kit	
35	R248	Honing Stone	
36	R255	* Plate Rack	
37	R1764	Small Pusher	
38	R1763	Large Pusher	
39	R3058	Cont Feed Lead	
40	NLA	No longer available	
41	R3052M	Magnet	
42	R3051	Discharge Plate	
43	R3050	Continuous Feed Atchmnt	
44	R3064U	Shaft Extension,Motor	
45	R3072U	Spacer	
46	R3065U	Deflector Washer SS	
47	R3067U	On Push Button/Green	
48	R3062U	Off Push Button (Red)	
49	R3063U	Pulse Push Buttn,Black	
50	R3059U	Power On (red or white)	
51	R3068U	Green Lamp	
52	R3040U	Electrical Board	
53	R3040UA	Electrical Board w/Sw Hs	
54	R3074U	Jumper Wire, PCB	
55	R3060	Shield	
56	R3045	Cord Protector	
57	R233	Strain Relief	
58	R222	Capacitor F/C Mtr (R2N)	
59	R3006UB	Motor (Century)	
60	R237	6203 Bearing R2 Top/Btm	
61	R3005	Baffle Plate	
62	R3004B	Btm Cushion Bushing,Cent	
63	R3072	Screen Kit (Canada Only)	

INDEX	REF.	DESIGNATION	Pricelist in : USD
64	R286	8amp Breaker (R2ANN)	
65	R3003UA	Base w/Large Foot	
66	R101	Foot	
67	R1701	Foot	
68	R3026U	Screw Cover	
69	R3025	Motor Support Screw	
70	R3025A	Screw, MS Cent Mtr	
71	R3021U	Motor Support	
72	R3022	Grill	
73	R1716	Motor Support Seal	
74	R3020U	Data Plate	
75	R3061	Magnetic Switch/R122AA	
76	R3061A	Switch w/Housing	
77	R3039	Ribbed Coupler	
78	R240	Cord with Plug	
79	R3034	Rubber Cord Sleeve	
80	R1715	6201 Bearing	
81	R3006K	Mtr Conv Kit(SA301U-Cent	
82	R3012U	Capacitor/180MF 120/160	
83	R3009U	Relay MTRPH - 16/39	
84	R3005N	Baffle Plate	
85	R3004N	Bottom Cushion Bushing	
86	R3007N	Btm Cushion Bush Support	
87	R3002	Base Screws	