

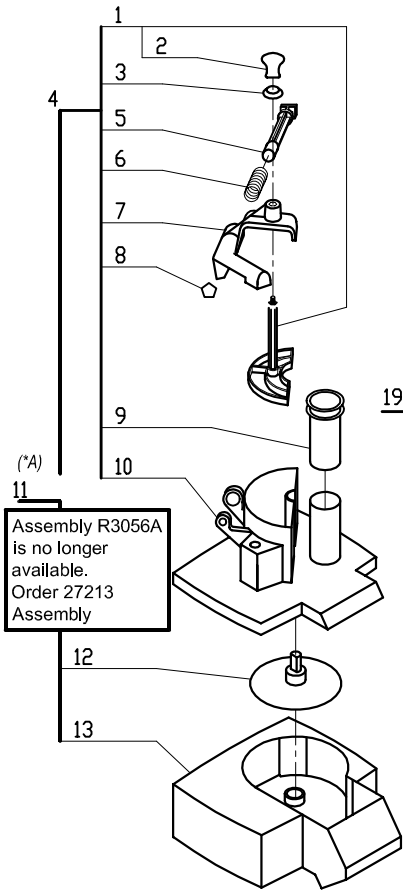
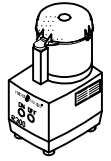
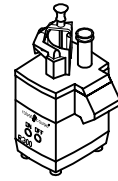
R300 Series B

Series B Machines-Serial Numbers FP002243 and up.

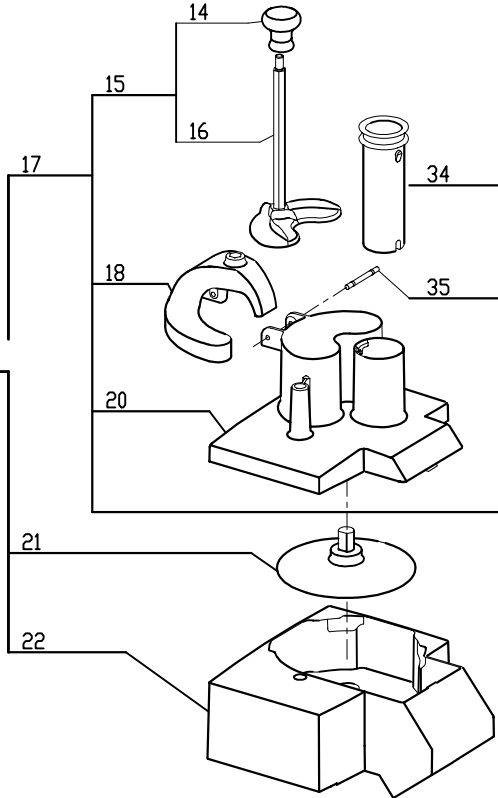
Also Ser. Numbers 106/xxxx

1-Speed, 120 Volt, 1 Phase, 60Hz., 1/2 HP.

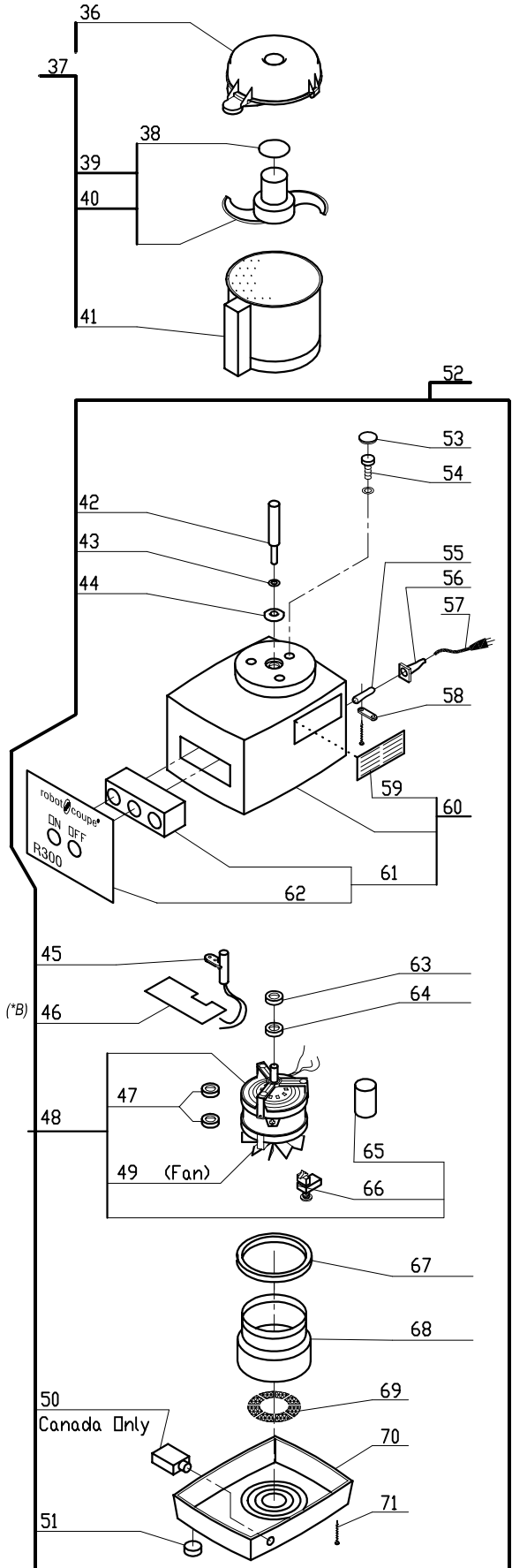
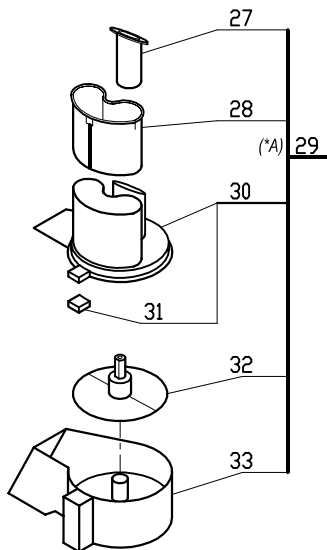
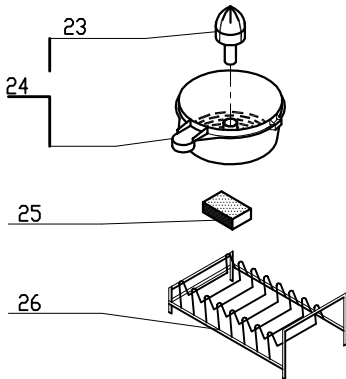
1725 RPM, 9 Amps



(*A)
Assembly R3056A
is no longer
available.
Order 27213
Assembly



ACCESSORIES



(*A) No Longer Available.

(*B) Part number R3040B
comes complete with
magnetic switch.

Canada Only



R300 #2

INDEX	REF.	DESIGNATION	Pricelist in : USD
1	R3085	Large Pusher with Rod	
2	CL569	Pusher Knob	
3	CL579	No longer available	
4	R3081	Cont Feed Lead w/Lg Pshr	
5	R3089	Pin, Pusher Return	
6	R3088	Spring, Pusher Return	
7	R3087	Hinged Bracket,Lg Pusher	
8	R3086	Retaining Clip for Pin	
9	R3082	Small Pusher	
10	R3058A	Cont. Feed Lead	
11	NLA	No longer available	
12	R3090	Discharge Plate	
13	R3080	Continuous Feed Attachmt	
14	CL569	Pusher Knob	
15	29880	(C) Large Pusher Assy R300,R301U Srs "C"	
16	103703	(C) Large Pusher Only R300,R301U Srs "C"	
17	29922	(C) Cont Feed Lead Assy R300,R301U Srs C	
18	29921	(C) Pusher Guide R300,R301U Series "C"	
19	27213	* (C) Cont. Feed Kit (Series "C")	
20	103534	(C) Cont Feed Lead Only R300,R301U "C"	
21	R3090	Discharge Plate	
22	103728	(C) Cont Feed Attach. R300,R301U Srs "C"	
23	R3091.1	Juicer Cone	
24	R3091	* Juicer Kit	
25	R248	Honing Stone	
26	R255	* Plate Rack	
27	R1764	Small Pusher	
28	R1763	Large Pusher	
29	NLA	No longer available	
30	R3058	Cont Feed Lead	
31	R3052M	Magnet	
32	R3051	Discharge Plate	
33	R3050	Continuous Feed Atchmnt	
34	118324	(L)Small Pusher	
35	103540	(C) Pusher Pivot Pin R300,R301U Series C	
36	R3031N	Bowl Lid (New Style)	
37	R3032N	* Bowl Kit (New Style)	
38	R3030	Cap Only, R301 S. Blade	
39	R3029	* S Blade (Straight)	
40	27135	* (C) Fine Serr. Blade R300,R301U "C"	
41	R3028N	Plastic Bowl	
42	R3064U	Shaft Extension, Motor	
43	R3072U	Spacer	
44	R3065U	Deflector Washer SS	
45	R3061A	Switch w/Housing	
46	R3040B	PC Board (R300 Series B)	
47	R1715	6201 Bearing	
48	R3006A	Motor (B) (Fan Opp Shaft)	
49	R110.1	Fan Blade Only(R100,CL30,CL50,R300#B)	
50	R4911	Circuit Breaker/R4X/10A	
51	R3001	Foot, Black	
52	R3057	Assembled Motor Base	
53	R3026	Screw Cover	
54	R3025	Motor Support Screw	
55	R3045	Cord Protector	
56	R3034	Rubber Cord Sleeve	
57	R240	Cord with Plug	
58	R233	Strain Relief	
59	R3022	Grill	
60	R3021A	Motor Support(R300 Series B)	
61	R3019	On/Off Switch Assy(R300 Series B)	
62	R3020A	Data Plate(R300 Series B)	
63	R1716	Motor Support Seal	



R300 #2

INDEX	REF.	DESIGNATION	Pricelist in : USD
64	R1716	Motor Support Seal	
65	R3012U	Capacitor/180MF 120/160	
66	R3009U	Relay MTRPH - 16/39	
67	R3004A	Seal, Baffle	
68	R3005A	Baffle(Round)	
69	R3072	Screen Kit (Canada Only)	
70	R3003UA	Base w/Large Foot	
71	R119	Screw (Base-MS 3.9x19)	