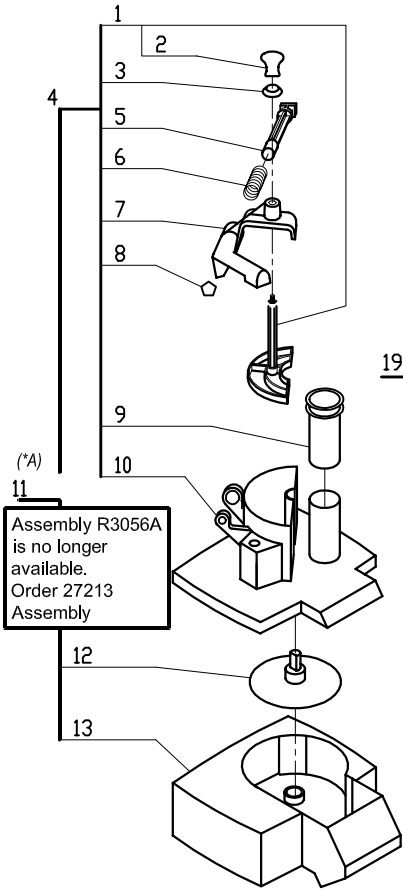
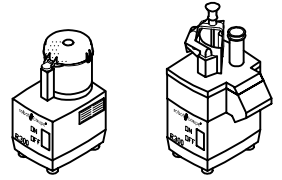


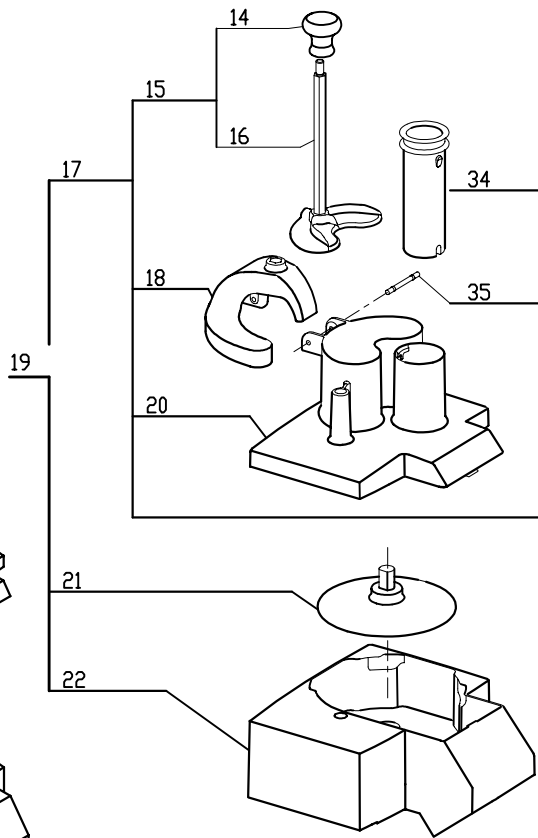
To Serial Number FP002243. Also Ser. Numbers 34/xxxxx

1-Speed, 120 Volt, 1 Phase, 60Hz., 1/2 HP.

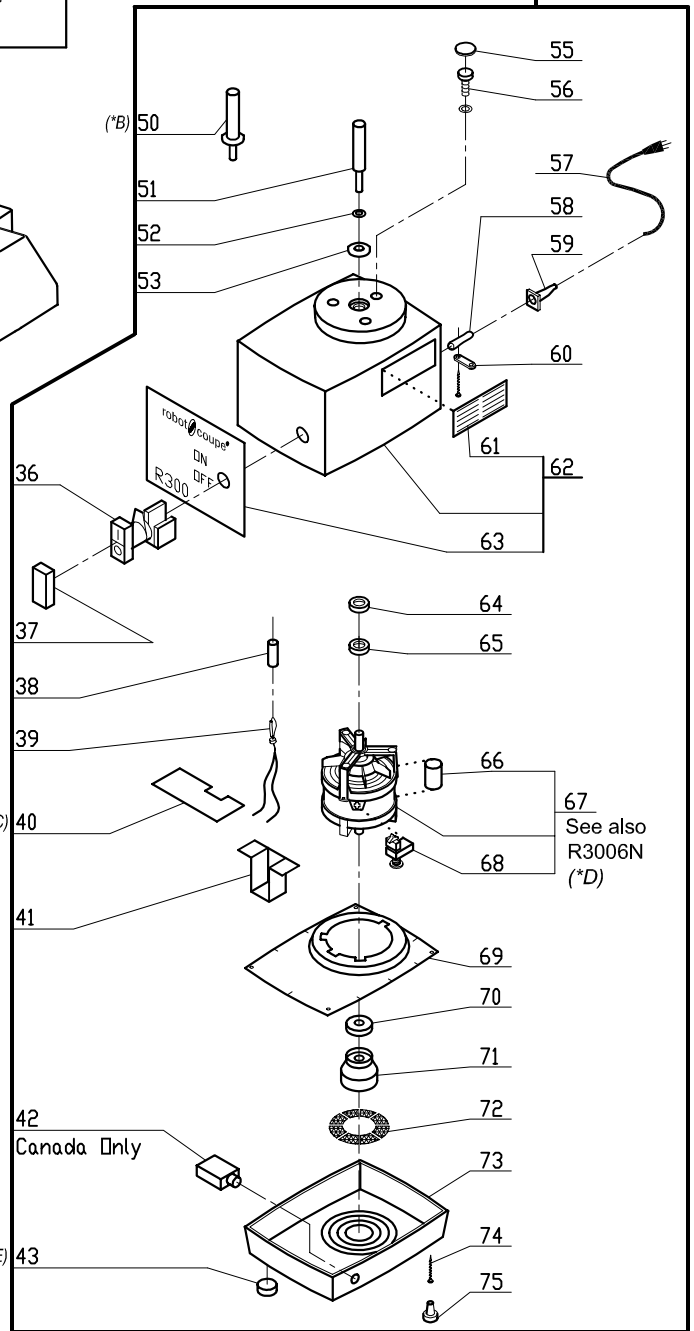
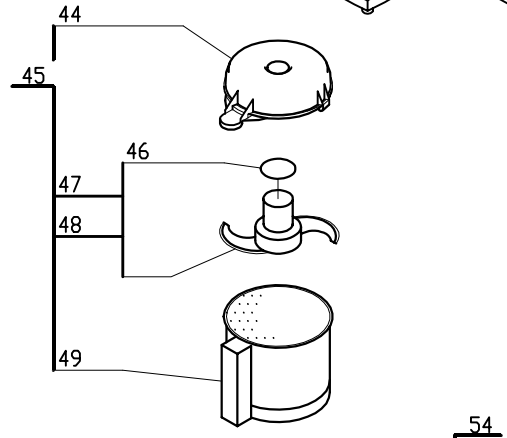
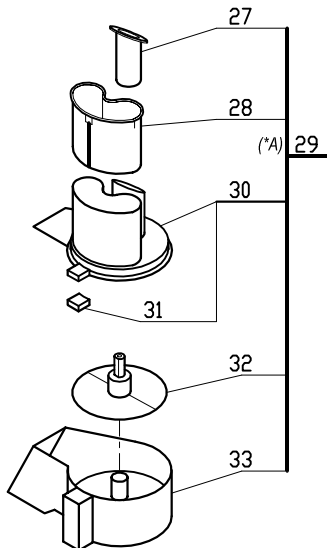
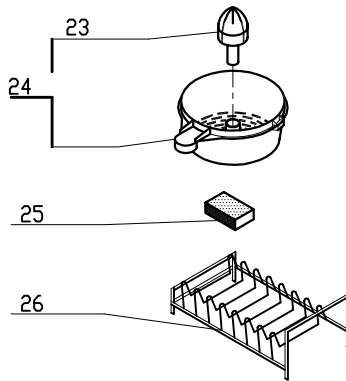
1725 RPM, 9 Amps



(*A)
Assembly R3056A
is no longer
available.
Order 27213
Assembly



ACCESSORIES



(*A) No Longer Available.

(*B) Plastic shaft cover is still available for machines 12/xxxxx

(*C) Part number R3040 comes complete with magnetic switch.

(*D) R3006N motor with plastic shaft cover R3024 is no longer available. Use a R3006U motor with R3064U shaft, R3065U deflector, R240 power cord, R3034 strain relief, and R3045 cord protector.

The R3006UB motor and the R3006K motor conversion kit cannot be used on R300 models.

(*E) After serial number 34/36801 use R101 white foot.

67 See also R3006N (*D)

Canada Only



R300 #1

INDEX	REF.	DESIGNATION	Pricelist in : USD
1	R3085	Large Pusher with Rod	
2	CL569	Pusher Knob	
3	CL579	No longer available	
4	R3081	Cont Feed Lead w/Lg Pshr	
5	R3089	Pin, Pusher Return	
6	R3088	Spring, Pusher Return	
7	R3087	Hinged Bracket,Lg Pusher	
8	R3086	Retaining Clip for Pin	
9	R3082	Small Pusher	
10	R3058A	Cont. Feed Lead	
11	NLA	No longer available	
12	R3090	Discharge Plate	
13	R3080	Continuous Feed Attachmt	
14	CL569	Pusher Knob	
15	29880	(C) Large Pusher Assy R300,R301U Srs "C"	
16	103703	(C) Large Pusher Only R300,R301U Srs "C"	
17	29922	(C) Cont Feed Lead Assy R300,R301U Srs C	
18	29921	(C) Pusher Guide R300,R301U Series "C"	
19	27213	* (C) Cont. Feed Kit (Series "C")	
20	103534	(C) Cont Feed Lead Only R300,R301U "C"	
21	R3090	Discharge Plate	
22	103728	(C) Cont Feed Attach. R300,R301U Srs "C"	
23	R3091.1	Juicer Cone	
24	R3091	* Juicer Kit	
25	R248	Honing Stone	
26	R255	* Plate Rack	
27	R1764	Small Pusher	
28	R1763	Large Pusher	
29	NLA	No longer available	
30	R3058	Cont Feed Lead	
31	R3052M	Magnet	
32	R3051	Discharge Plate	
33	R3050	Continuous Feed Atchmnt	
34	118324	(L)Small Pusher	
35	103540	(C) Pusher Pivot Pin R300,R301U Series C	
36	R3018	On/Off Switch	
37	R3018C	Cover, Plastic	
38	R3039	Ribbed Coupler	
39	R3061	Magnetic Switch/R122AA	
40	R3040	Electrical Board	
41	R3060	Shield	
42	R286	8amp Breaker (R2ANN)	
43	R101	Foot	
44	R3031N	Bowl Lid (New Style)	
45	R3032N	* Bowl Kit (New Style)	
46	R3030	Cap Only, R301 S. Blade	
47	R3029	* S Blade (Straight)	
48	27135	* (C) Fine Serr. Blade R300,R301U "C"	
49	R3028N	Plastic Bowl	
50	R1718	Shaft Cover	
51	R3064U	Shaft Extension, Motor	
52	R3072U	Spacer	
53	R3065U	Deflector Washer SS	
54	R3057	Assembled Motor Base	
55	R3026	Screw Cover	
56	R3025	Motor Support Screw	
57	R240	Cord with Plug	
58	R3045	Cord Protector	
59	R3034	Rubber Cord Sleeve	
60	R233	Strain Relief	
61	R3022	Grill	
62	R3021	Motor Support	
63	R3020	Front Data Plate	

robot coupe®

R300 #1

INDEX	REF.	DESIGNATION	Pricelist in : USD
64	R1716	Motor Support Seal	
65	R1716	Motor Support Seal	
66	R3012U	Capacitor/180MF 120/160	
67	R3006U	MMotor	
68	R3009U	Relay MTRPH - 16/39	
69	R3005N	Baffle Plate	
70	R3004N	Bottom Cushion Bushing	
71	R3007N	Btm Cushion Bush Support	
72	R3072	Screen Kit (Canada Only)	
73	R3003UA	Base w/Large Foot	
74	R3002	Base Screws	
75	R1701	Foot	