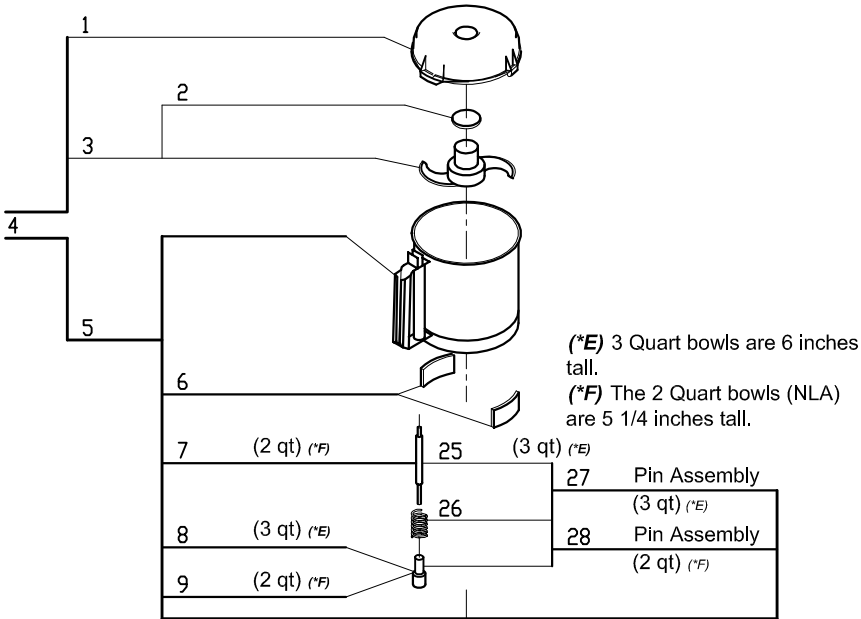
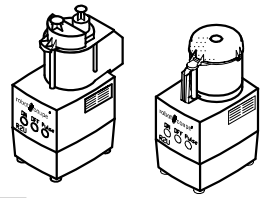


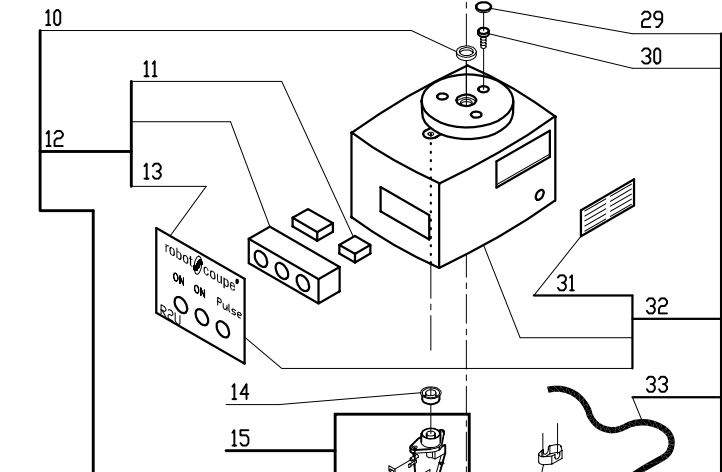
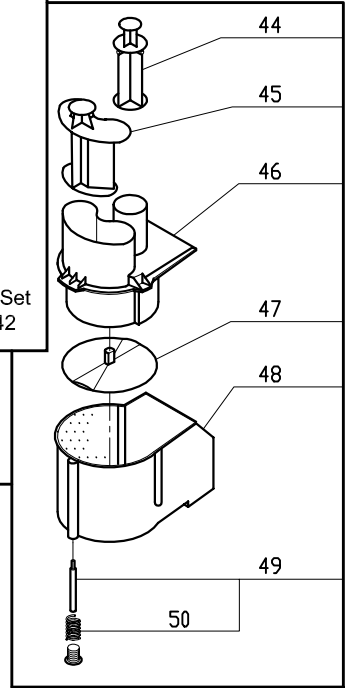
Serial Number Series- R2Uxxxxx Also, 231xxxxx03

1- Speed, 120 Volt, 1 Phase, 60Hz., 1 HP.

1725 RPM, 7 Amps

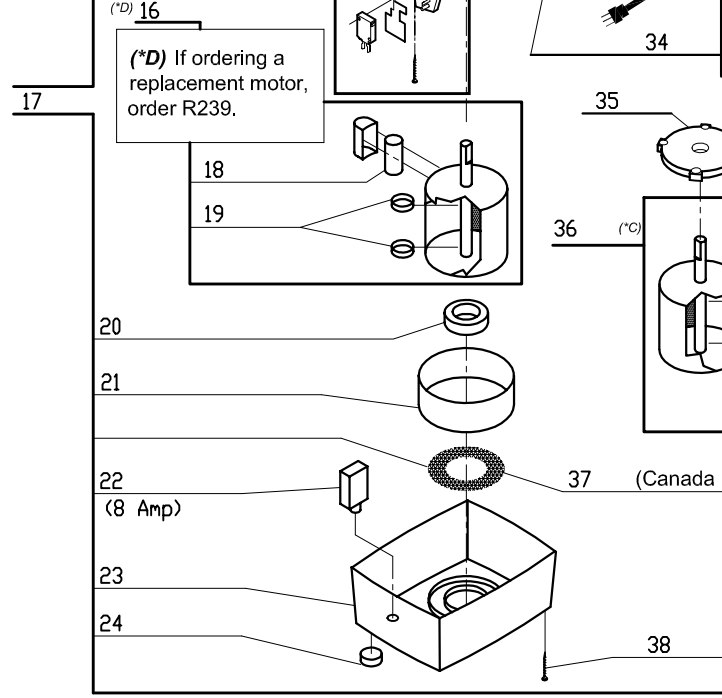
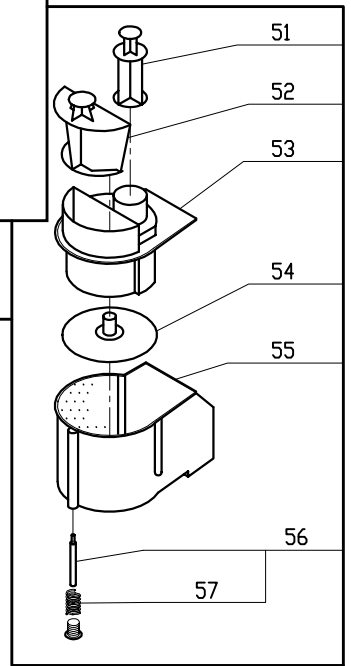


(*A) 27242
 (USA) Serial Numbers Beginning 231xxxxx03
 (Canada) Beginning R2U5500
 Any complete Feed Lead Set can be replaced with 27242

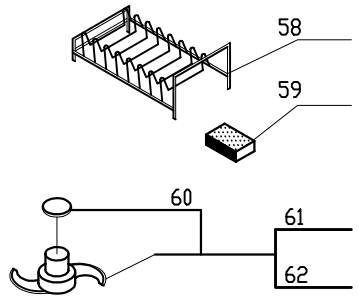


(*C) This Motor (R239D) has a plastic spacer (R239D.3 - not included) mounted on top.
 See also R239 motor

(USA) Serial # R2Uxxxxx
 (Canada) to Serial # R2U5499



ACCESSORIES





R2N Ultra #1

INDEX	REF.	DESIGNATION	Pricelist in : USD
1	R204	Cutter Bowl Lid	
2	R3030	Cap Only, R301 S. Blade	
3	R203	* Blade	
4	27243	* (B) R2U S.S. Bowl Kit, 3qt	
5	104099	(B) R2U S.S. Bowl Only,3qt	
6	R289	Lckg Bush Set w/Screws	
7	R261A	Pin, SS Bowl	
8	104050	(B) Retaining Nut	
9	R258A	Retaining Nut	
10	R118	Motor Support Seal	
11	R274	Pulse Switch	
12	R264A	On/Off Pulse Switch Assy	
13	R230B	Front Data Plate(R2Ultra	
14	R225	Rubber O Ring (Black)	
15	R115K	Safety Switch Assembly	
16	R239	Mtr F/C 1/3HP 115V/6HZ	
17	R246U	Assy Motor Base, R2U	
18	R222	Capacitor F/C Mtr (R2N)	
19	R237	6203 Bearing R2 Top/Btm	
20	R265	Bottom Cushion Bushing	
21	R278A	Baffle	
22	R286	8amp Breaker (R2ANN)	
23	104124	(B) R2 Base, Gray	
24	R101	Foot	
25	104098	(B) Pin, 3qt S.S. Bowl	
26	R1776	Spring	
27	Number NA	Description NA	
28	R242	Pin Assy for Plastic Bowl	
29	R262	Screw Cover	
30	R232A	Screw (Motor - MS)	
31	R276A	Louvre (mtl) W/Rivits	
32	39108	(B) R2N Motor Support, 3qt	
33	R240	Cord with Plug	
34	R104	Strain Relief	
35	R239D.3	Adapter Plate, EM	
36	R239D	Motor, EM	
37	R277A	Screen Kit	
38	R119	Screw (Base-MS 3.9x19)	
39	R239D.2	Capacitor	
40	R237	6203 Bearing R2 Top/Btm	
41	R239D.1	Relay	
42	27242	* (B) R2N Cont Feed Kit, Gray	
43	R245N	No Longer Available use 27242	
44	103281	(B) Small Pusher	
45	103280	(B) Large Pusher	
46	118592	(B) R2 Cont Feed Lead, Gray (replaces white)	
47	103288	(B)Discharge Plate	
48	102699	(B) R2 Cont Feed Attach, Gray	
49	R242	Pin Assy for Plastic Bowl	
50	R1776	Spring	
51	R229N	Small Vegetable Pusher	
52	R228N	Large Vegetable Pusher	
53	R205N	Continuous Feed Lead	
54	103288	(B)Discharge Plate	
55	102699	(B) R2 Cont Feed Attach, Gray	
56	R242	Pin Assy for Plastic Bowl	
57	R1776	Spring	
58	R255	* Plate Rack	
59	R248	Honing Stone	
60	R3030	Cap Only, R301 S. Blade	
61	R203D	* S Blade, Fine Serration	
62	R203E	* S. Blade Coarse Serrations	