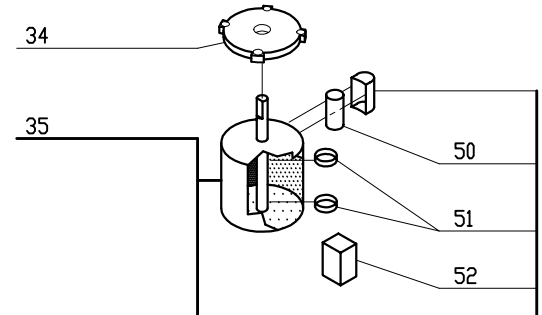
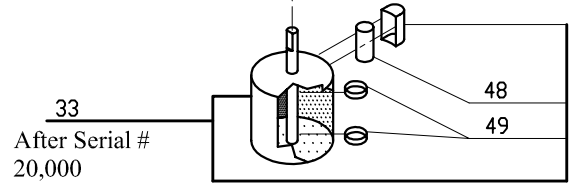
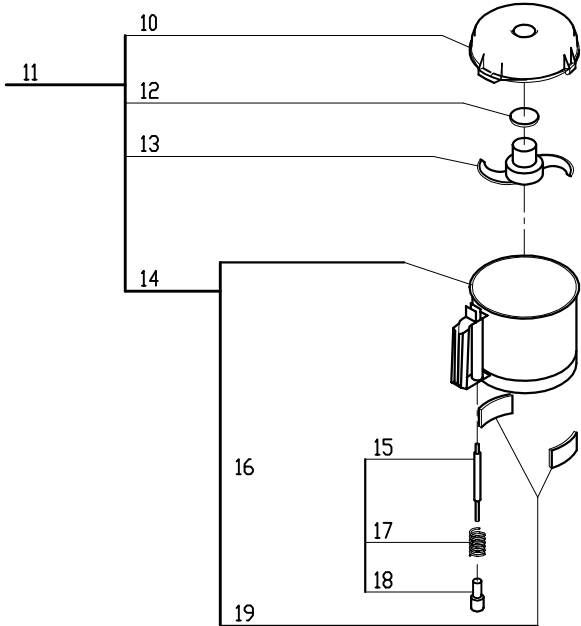
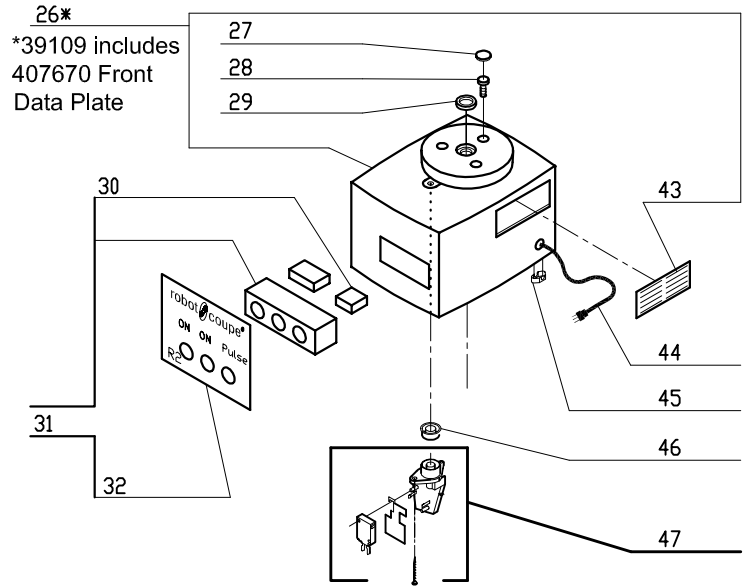
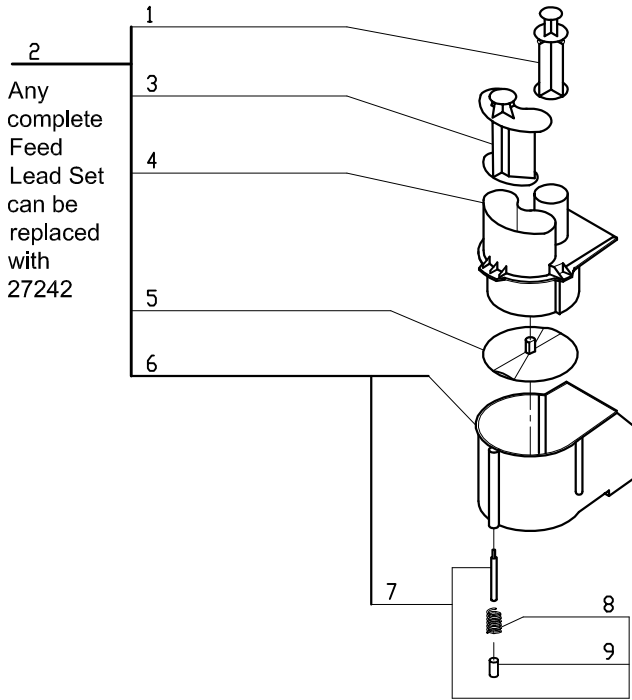
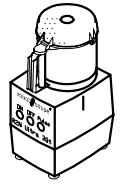
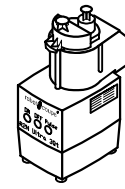


# R2N Ultra (3 Quart)

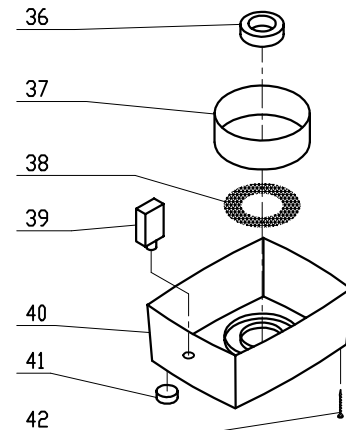
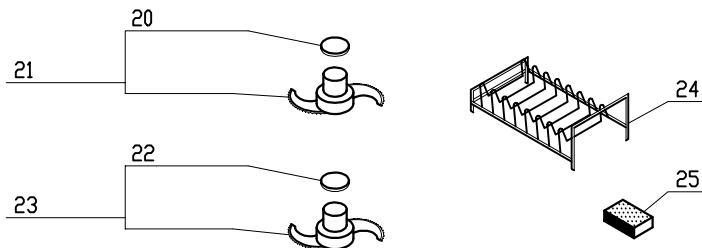
Serial Number Series- 247xxxxx03

1- Speed, 120 Volt, 1 Phase, 60Hz., 1 HP.

1725 RPM, 7 Amps



## ACCESSORIES





## R2N Ultra #3

INDEX	REF.	DESIGNATION	Pricelist in : USD
1	103281	(B) Small Pusher	
2	27242	* (B) R2N Cont Feed Kit, Gray	
3	103280	(B) Large Pusher	
4	118592	(B) R2 Cont Feed Lead, Gray (replaces white)	
5	103288	(B) Discharge Plate	
6	102699	(B) R2 Cont Feed Attach, Gray	
7	R242	Pin Assy for Plastic Bowl	
8	R1776	Spring	
9	Number NA	Description NA	
10	R204	Cutter Bowl Lid	
11	27243	* (B) R2U S.S. Bowl Kit, 3qt	
12	R3030	Cap Only, R301 S. Blade	
13	R203	* Blade	
14	104099	(B) R2U S.S. Bowl Only, 3qt	
15	104098	(B) Pin, 3qt S.S. Bowl	
16	Number NA	Description NA	
17	R1776	Spring	
18	104050	(B) Retaining Nut	
19	R289	Lckg Bush Set w/Screws	
20	R3030	Cap Only, R301 S. Blade	
21	R203D	* S Blade, Fine Serration	
22	R3030	Cap Only, R301 S. Blade	
23	R203E	* S. Blade Coarse Serrations	
24	R255	* Plate Rack	
25	R248	Honing Stone	
26	39109	(B) R2U Motor Support, 3qt	
27	R262	Screw Cover	
28	R232A	Screw (Motor - MS)	
29	R118	Motor Support Seal	
30	R274	Pulse Switch	
31	39107	(B) R2U Switch Assy, 3qt	
32	407670	(B) Front Data Plate R2U, 3qt	
33	R239	Mtr F/C 1/3HP 115V/6HZ	
34	R239D.3	Adapter Plate, EM	
35	R239D	Motor, EM	
36	R265	Bottom Cushion Bushing	
37	R278A	Baffle	
38	R277A	Screen Kit	
39	R286	8amp Breaker (R2ANN)	
40	104124	(B) R2 Base, Gray	
41	R101	Foot	
42	R119	Screw (Base-MS 3.9x19)	
43	R276A	Louvre (mtl) W/Rivits	
44	R240	Cord with Plug	
45	R104	Strain Relief	
46	R225	Rubber O Ring (Black)	
47	R115K	Safety Switch Assembly	
48	R222	Capacitor F/C Mtr (R2N)	
49	R237	6203 Bearing R2 Top/Btm	
50	R239D.2	Capacitor	
51	R237	6203 Bearing R2 Top/Btm	
52	R239D.1	Relay	