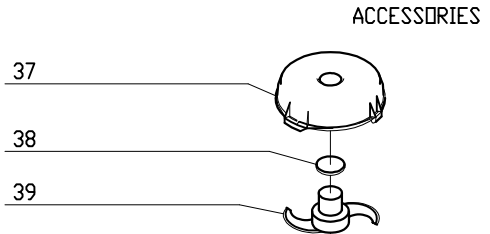
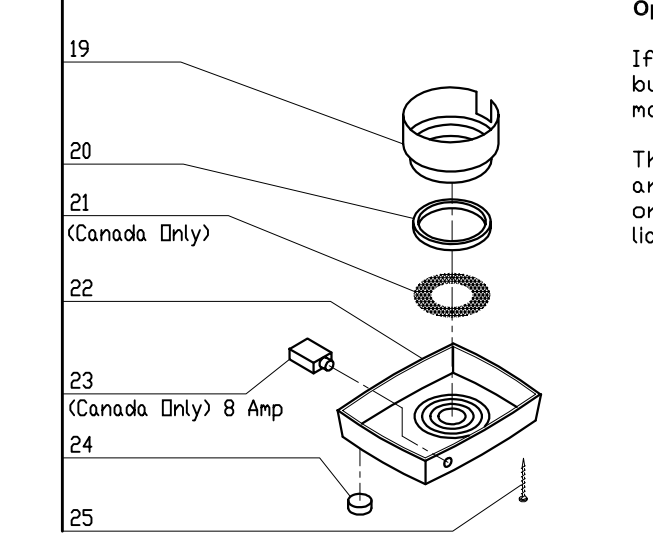
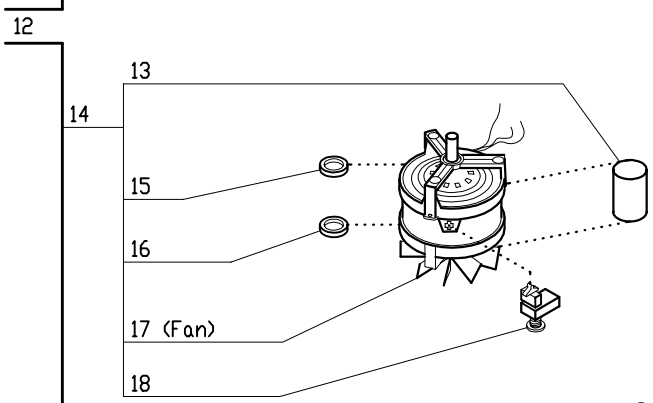
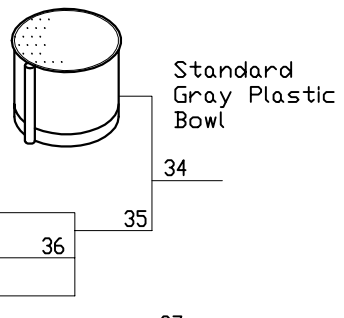
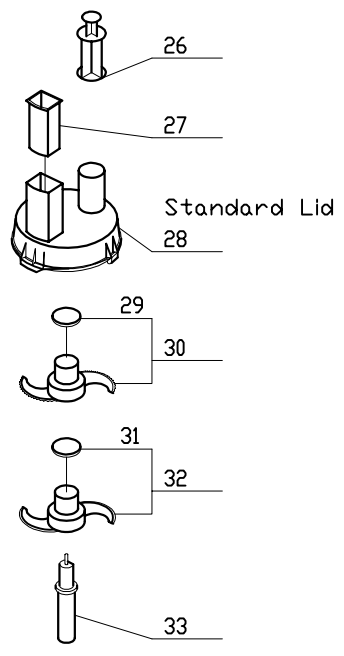
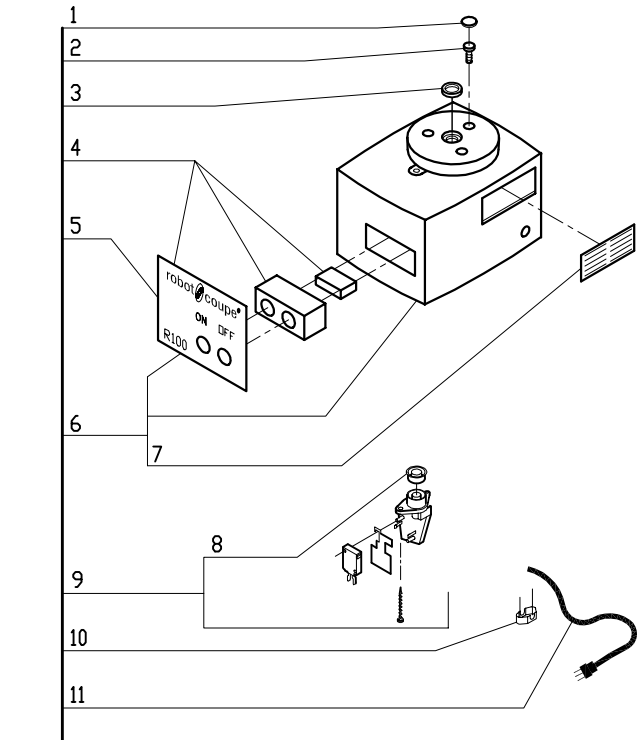
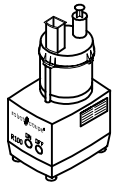
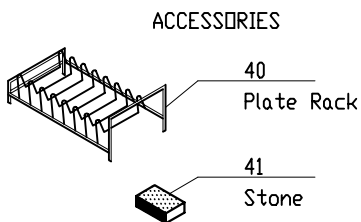
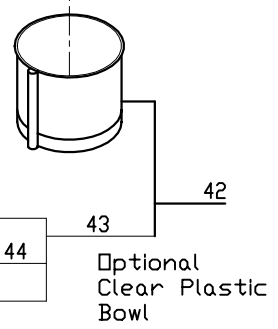


Serial Numbers 12/xxxxx and 012xxxxx03
 1-Speed, 120 Volt, 1 Phase, 60Hz., 5/16 HP.
 1725 RPM, 7 Amps



Optional Clear Bowl
 If ordering the R100 with the Clear Bowl but with the standard lid (R152), order model number **R100CLR**.

The R100 is available with a clear bowl and R204 lid as model number **R100BCLR** or with the gray plastic bowl and R204 lid as model number **R100B**.



INDEX	REF.	DESIGNATION	Pricelist in : USD
1	R121	Screw Cover	
2	R120	Motor Support Screw	
3	R118	Motor Support Seal	
4	R113	On/Off Sw Assy W/Data Pl	
5	R112	Data Plate	
6	29567	(A) Motor Support Assy (R100)	
7	R276A	Louvre (mtl) W/Rivits	
8	R225	Rubber O Ring (Black)	
9	R115K	Safety Switch Assembly	
10	R104	Strain Relief	
11	R240	Cord with Plug	
12	R162	Motor Base Assy	
13	R3012U	Capacitor/180MF 120/160	
14	R110	Motor	
15	R159	Top Bearing	
16	R1715	6201 Bearing	
17	R110.1	Fan Blade Only(R100,CL30,CL50,R300#B)	
18	R3009U	Relay MTRPH - 16/39	
19	R107	Baffle	
20	R106	Bottom Cushion Bushing	
21	R123	Description NA	
22	R102	Base	
23	R286	8amp Breaker (R2ANN)	
24	R101	Foot	
25	R119	Screw (Base-MS 3.9x19)	
26	R153	Small Pusher	
27	R154	Large Pusher	
28	R152	Lid	
29	R3030	Cap Only, R301 S. Blade	
30	R157	* Serrated Blade	
31	R3030	Cap Only, R301 S. Blade	
32	R155	* Smooth Blade	
33	R151	Plate Support	
34	117657	(A) 2 1/2 Qt Bowl Only, R100	
35	R242	Pin Assy for Plastic Bowl	
36	R1776	Spring	
37	R204	Cutter Bowl Lid	
38	R3030	Cap Only, R301 S. Blade	
39	R155	* Smooth Blade	
40	R255	* Plate Rack	
41	R248	Honing Stone	
42	117900	(A) 2 1/2 Qt Clear Bowl, R100	
43	29900	(A) Safety Rod Assy	
44	R1776	Spring	