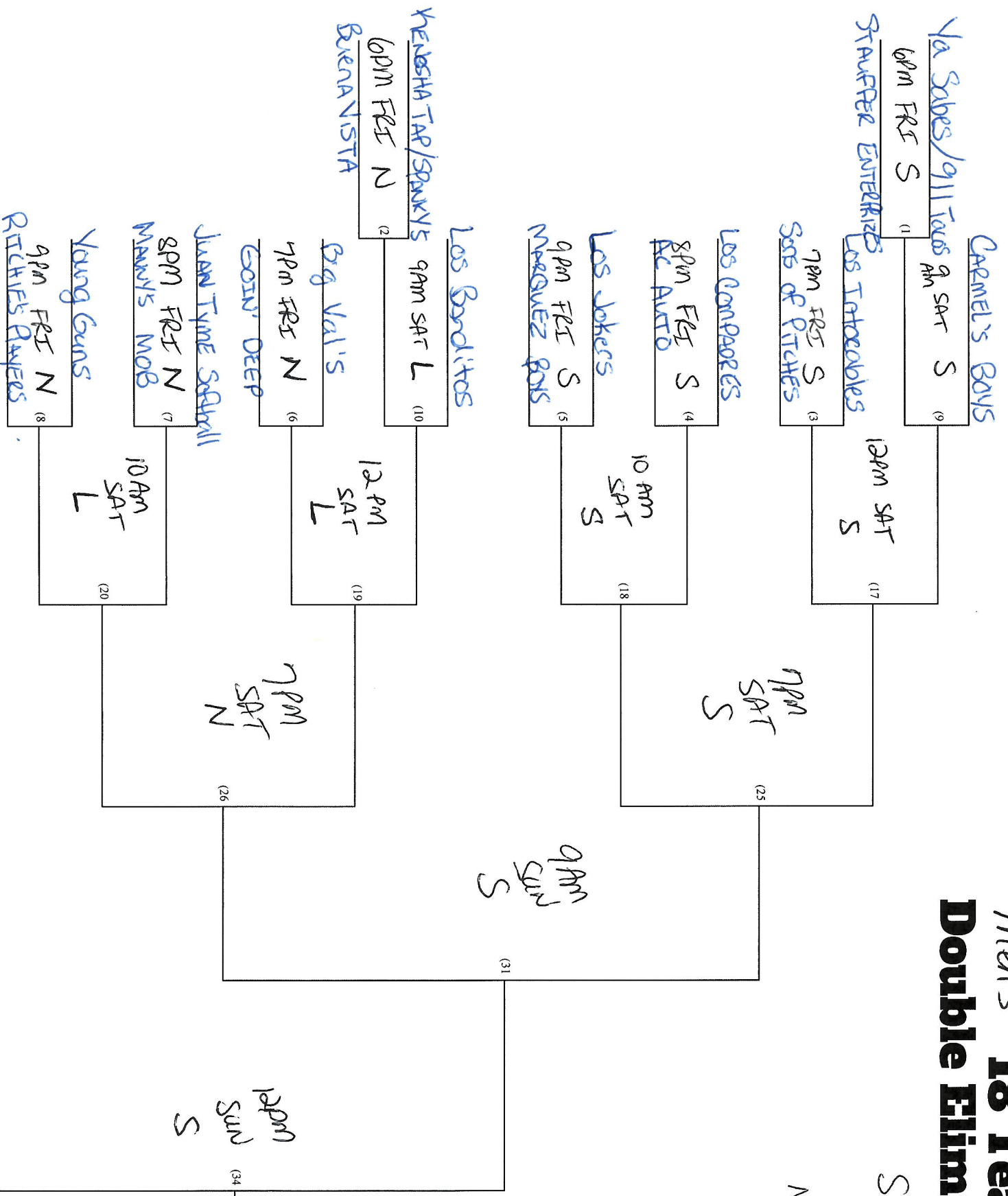


# Men's 18 Team Double Elimination

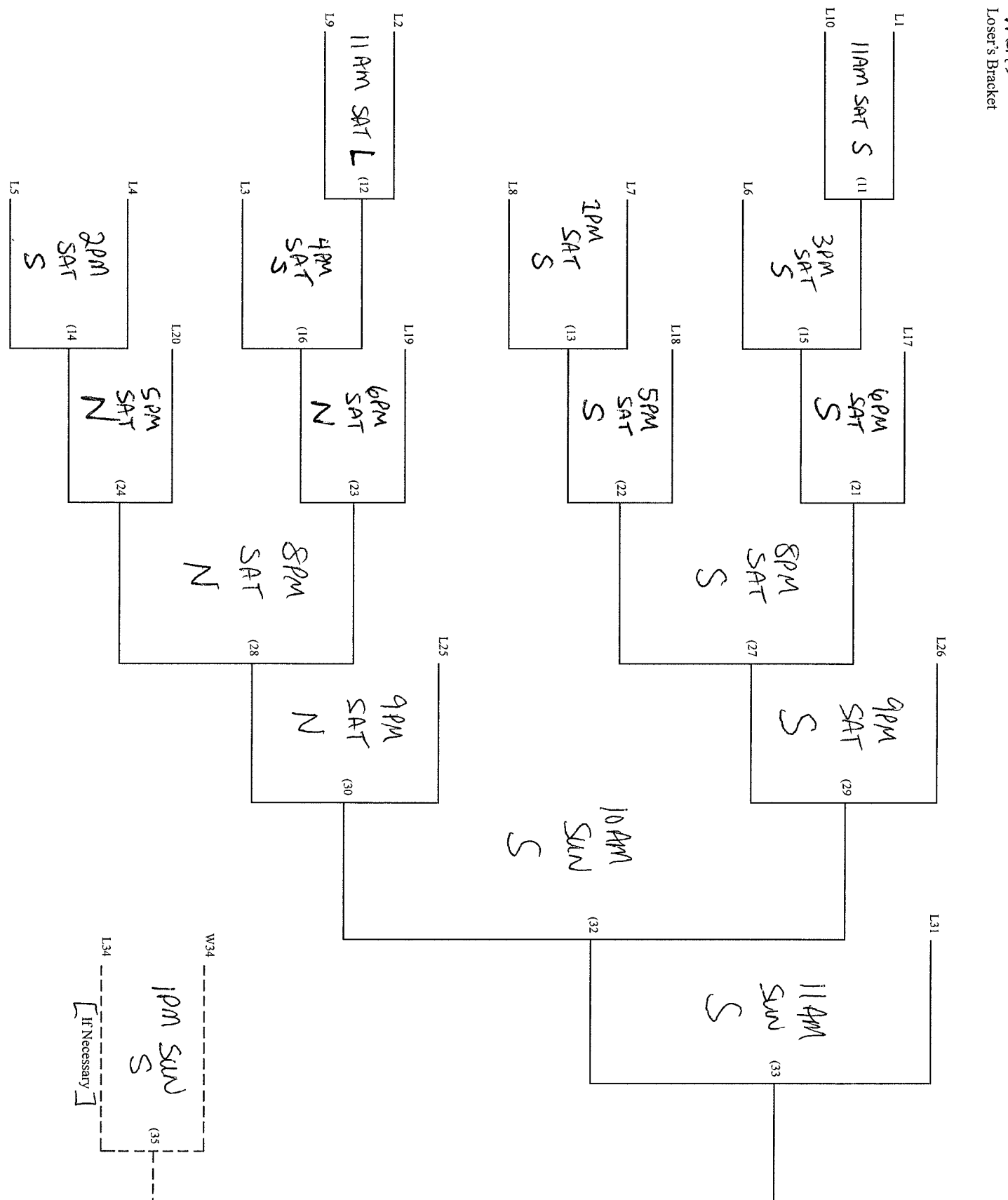


S = South  
Diamond (Island)

N = North  
Diamond  
closest to kent  
(Island)

L = Lincoln  
Park.

200  
Dominick Dr  
Racine WI  
SKEY



L = Lincoln Park  
 S = South Diamond  
 N = Island Park North Diamond  
 2200 Dominic Dr.  
 Racine WI 53404

W34 -----  
 1 PM SUN S (35)  
 L34 -----  
 [If Necessary]