



Kitchen and Bath Countertops • Showers • Bathtubs

100 Landmark Drive • Greensboro • NC 27409(336) 299-3030 phone • (336) 299-9717 fax

TO GET A COUNTER TOP ESTIMATE FOLLOW THESE EASY INSTRUCTIONS

Customer Name: _____

Phone Number: _____

Email: _____

Address: _____

Countertop Measurements ,Made Easy!

Step 1: Locate a pencil, measuring tape & ruler.

Step 2: Using the graph paper, roughly draw the shape of your countertop space.

Step 3: Using your tape measure, measure in inches the dimensions of all the countertop space you would like surfaced. Put the measurements on your rough drawing as you go. Please indicate the approximate location of any required cut-outs for under mount or drop-in sinks, drop-in cooktops, etc. (See page 2 for example.) If you would like a backsplash, please indicate where you would like it by drawing a dotted line along that length of the countertop.

Step 4: For an ESTIMATE, bring your drawing to our showroom and we will be happy to quote your project or fax or email these pages. To find us go to the location tab on the left of the home page on the website. The final measurements for your countertop will be taken by us after work is scheduled. The information here is for pricing purposes only.

Fill out as much as you can and bring into our showroom, fax or email.

SELECT OPTIONS BELOW

How you found out about us? Phone Book Internet Referral Saw Truck

Area that needs tops Kitchen Bath Bar Office/Desk Other

Material Type Granite Solid Surface Quartz Cultured Marble Not Sure

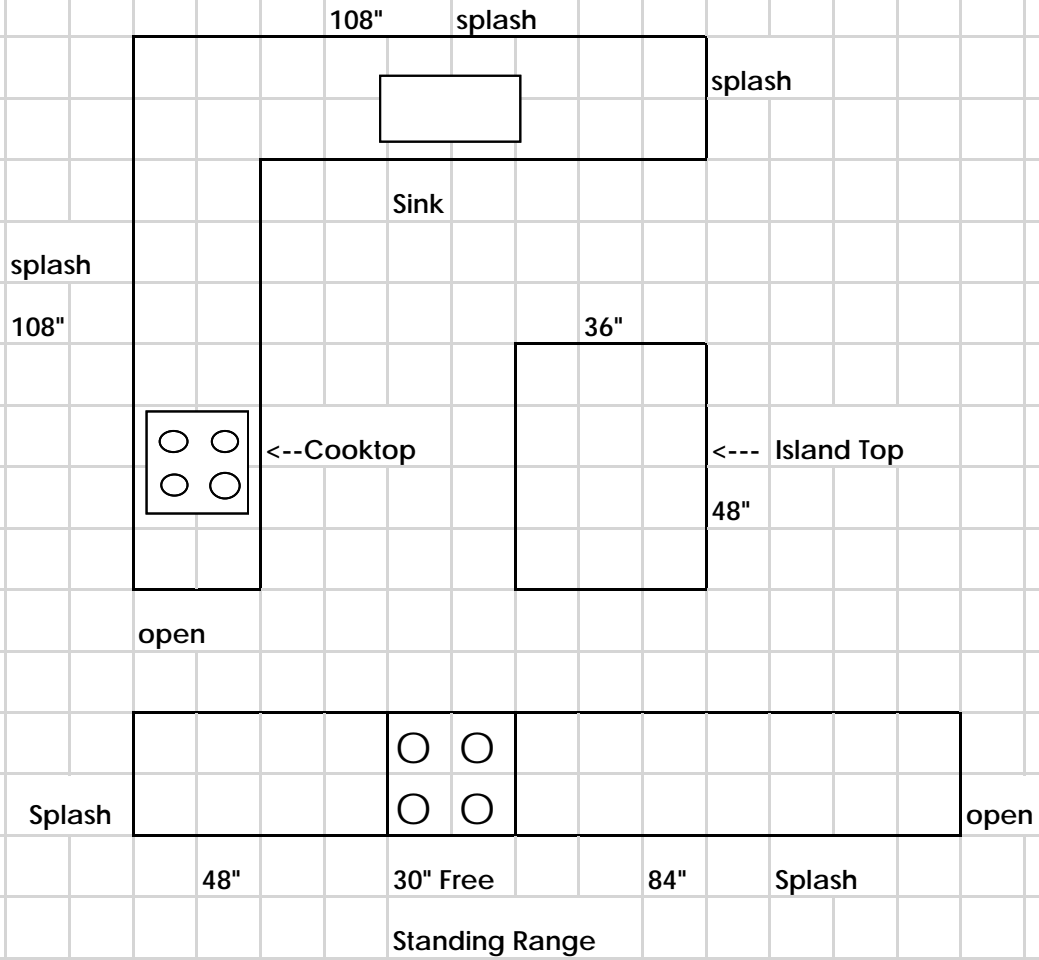
Sink Type Drop-In or self rimming Under Mount Stainless Steel or Cast Iron
Integral Solid Surface Cultured Marble Not Sure None

Back Splash Standard 4" Tall Solid Surface Coved (One piece) Tile by others
Not Sure

Cooking Surfaces Type Free Standing Range Slide-In Range (usually controls in front with small piece of top in back) Cook top Not Sure Does Not Apply

Check All That Apply New Construction Whole Kitchen Remodel Countertop only Need Removal of tops

Sample Drawing Page



Comments _____

Draw Your Kitchen Here





Kitchen and Bath Countertops • Showers • Bathtubs

100 Landmark Drive • Greensboro • North Carolina 27409 • (336) 299-3030 phone • (336) 299-9717 fax

CUSTOMER NAME

DATE OF ORDER

PO NUMBER

JOB NAME

MATERIAL BRAND/TYPE & COLOR

EDGE PROFILE

SINK TYPE AND COLOR

FAUCET DRILLING 4" OR 8"

←└┘→ INDICATE SINK CENTER ON DRAWINGS BELOW

F INDICATES FINISHED EDGE

BACK SPLASH STANDARD 4" OR SPECIAL HEIGHT _____ HIGH S INDICATES SPLASH

